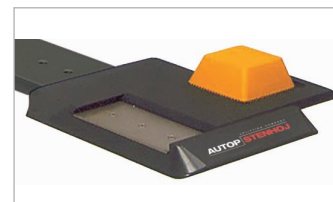


Application

- Check-in
- Car wash
- Repair and maintenance
- Testing equipment

Approvals

- All models:
Renault
- SL 1.35 Pv 170-240:
BMW / Mini
- SL 1.35 Pv 160-220xy:
Volkswagen Group
- SL 1.35 Pv 140-200:
Opel



Sololift 1.35 Pv

Electro-hydraulic single-ram lift, 3,5 t capacity, flat supports

Description:

Steel cassette:

- Waterproof steel cassette (WHG)
- Self-carrying

Hydraulic unit:

- Hard-chrome plated cylinder
- Integrated anti-rotation device
- Corrosion-free guiding elements
- Hydraulic unit with immersed motor for fitting on wall
- Ecological hydraulic fluid
- Pneumatic emergency lowering
- Pushbutton control unit

Superstructure:

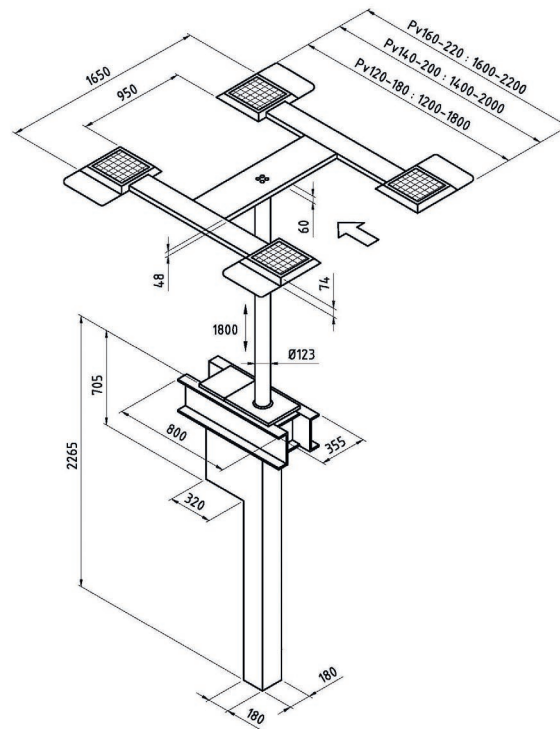
- Lifting supports in different lengths (120-180, 140-200, 160-220 & 170 - 240)
- Rubber-coated, non-skid pads
- Low minimum height

Standard colours

- Zinc-coated and painted in RAL 7016

Technical data	
Lifting capacity	3,500 kg
Lifting height	1,780 mm
Working height	1,845 mm + Rubber pads
Cylinder diameter	123 mm
Lifting / lowering time	app. 30 Sec.
Foundation depth	2,400 mm
Pump unit	3.0 kW
Ecological hydraulic fluid	12 l
Voltage	230/400 V - 50 Hz - 16 A

Pv superstructure	
Total length min. - max.	120-180: app. 1,200 - 1,800 mm 140-200: app. 1,400 - 2,000 mm 160-220: app. 1,600 - 2,200 mm 170-240: app. 1,700 - 2,400 mm
Min. height	65 mm

**autop Maschinenbau GmbH**

Sandkampstraße 90
 48432 Rheine | Germany
 ☎ +49 5971 8602-02
 📠 +49 5971 8602-25
 ✉ info@autopstenhoj.com

STENHOJ A/S

Barrit Langgade 188-190
 7150 Barrit | Denmark
 ☎ +45 76821-330
 📠 +45 76821-331
 ✉ info@autopstenhoj.com

Versions:**Steel cassette:**

- Zinc-coated
- Coated

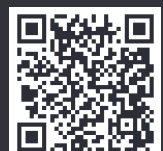
Installation:

- Superstructure on floor
- Superstructure in floor with alarm signal (140-200 & 160-220)
- Ceiling installation
- Hydraulic pump unit in floor
- Hydraulic pump unit on wall

Optional extras:

- XY-pads
- Sets of rubber blocks, 40, 60, 80 and 100 mm

Special colours available on request!



Produktdetails