

autop inground lifts

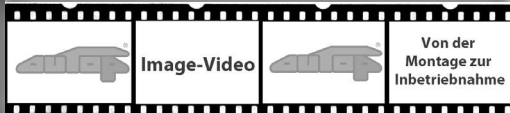
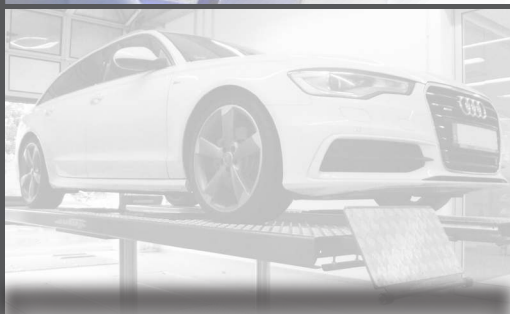
# First class lifting technology



## autop catalogue

January 2014

1. autop Sololift
2. autop Eurolift
3. autop Masterlift
4. autop Masterlift Combi Check-in
5. autop Profilift
6. autop Cargolift
7. autop Biglift
8. autop Quattrolift
9. autop Triolift
10. autop Jet Cleaners
11. autop equipment technology
12. autop accessories



**autop Maschinenbau GmbH**  
Sandkampstr. 90  
D-48432 Rheine  
Tel. ++49(0)5971/8602-02  
Fax ++49(0)5971/8602-25  
E-Mail: mail@autop.de  
www.autop.de

...a company of the STENHØJ-group!



# Always on the top!



## autop Sololift 1.35 Pv 120-180, 140-200, 160-220

This platform has a very low drive-over height and a sturdy construction. Due to its comfortable length adjustment you can reach nearly every lifting point of a private car.

Handy rubber blocs are used for a correct lifting at the recommended lifting points.

The non-sliding surface of the superstructure together with the rubber blocs assure a safe lifting.



### autop Maschinenbau GmbH

Sandkampstr. 90

D-48432 Rheine

Tel. ++49(0)5971/8602-02

Fax ++49(0)5971/8602-25

E-Mail: [mail@autop.de](mailto:mail@autop.de)

[www.autop.de](http://www.autop.de)

...a company of the STENHØJ-group!

  
Professional lifting technology!

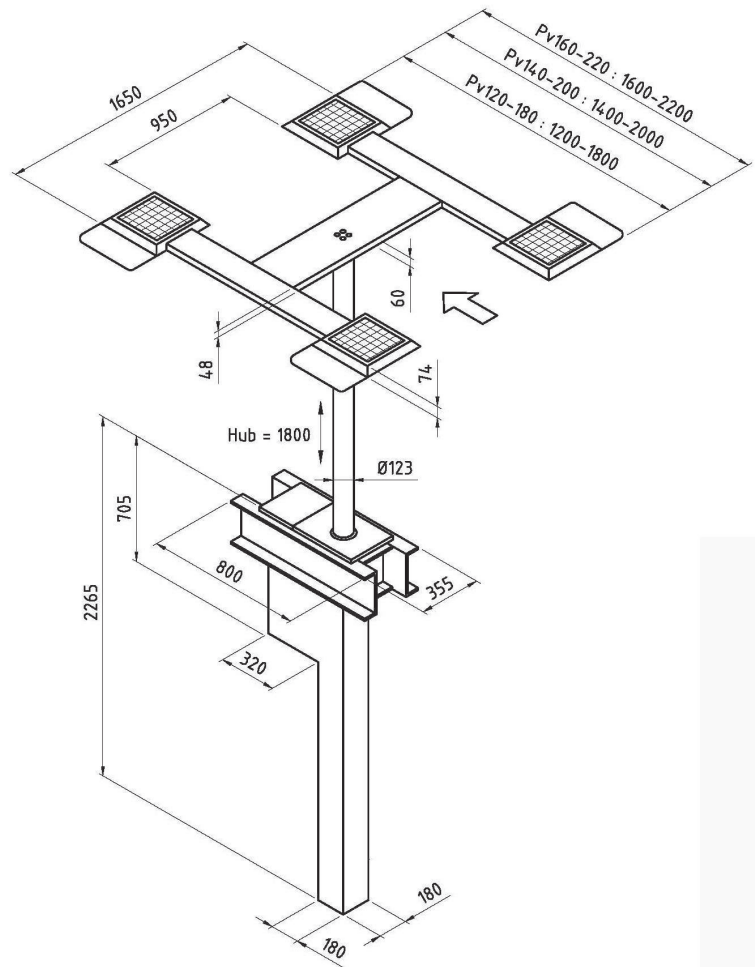
# Sololift 1.35

## Components

- hard-chromed cylinder
- corrosion-free guiding element
- SPS - control unit
- pneumatic emergency drain
- installation in waterproof cassette
- use of „bio-oil“ non hazardous to water
- platform, extendable from 1200-2000 mm, sturdy welded and galvanized
  
- **Optional extra:**  
xy-heads for the increase of the lifting area

## Colour:

zinc-coated and painted in RAL 9006



## Technical data

Capacity:	3,500	kg
Cylinder's diameter:	123	mm
Lifting/lowering time:	appr. 30	sec.
Stroke length:	1,800	mm
Lifting height:	1,930	mm
Foundation depth:	2,400	mm
Voltage:	230/400	V
	50	Hz
	16	A
Power unit:	3.0	kW



No liability accepted for specifications that are subject to alteration - validity 09/2012. The date and pictures in this product information are not binding and are only giving an approximate description. Moreover we reserve the right to change the design, the dimensions and pictures given here (i.e. technical data, equipment, material and optical appearance) so far as the differences are reasonable for the customer and a possible reduction in value of the goods delivered is not considerable.

## autop Maschinenbau GmbH

Sandkampstr. 90  
D-48432 Rheine  
Tel. ++49(0)5971/8602-02  
Fax ++49(0)5971/8602-25  
E-Mail: mail@autop.de  
www.autop.de

...a company of the STENHØJ-group!

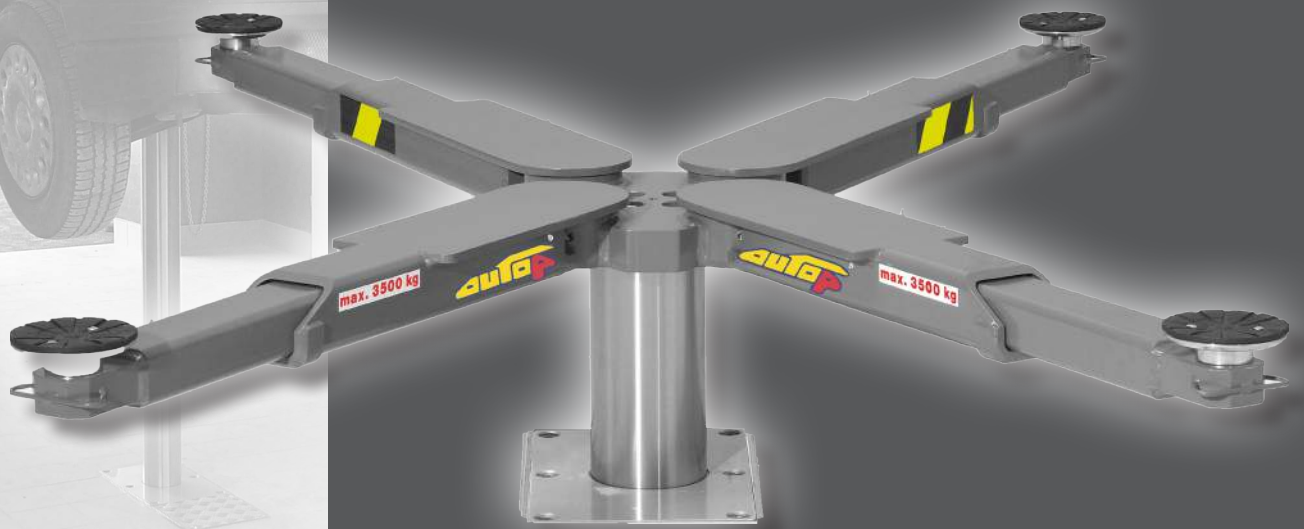
## Service:

Our expert consultants would appreciate to help you with the planning of a new garage or the modernization of an existing one. We offer to work out a workshop concept incl. an equipment proposal.

**Please do not hesitate to contact us!**

**autop**  
Professional lifting technology

# Always on the top!



## autop Sololift 1.35 Sa

This swivel arm lift is especially suitable for general maintenance and body repair.

The high lifting capacity of 3500 kg and in particular the very wide lifting area because of the telescopic arms allow secure lifting of a wide range of vehicles. The integrated automatic arm locking system ensures a long lifetime and reliable operation.

### autop Maschinenbau GmbH

Sandkampstr. 90

D-48432 Rheine

Tel. ++49(0)5971/8602-02

Fax ++49(0)5971/8602-25

E-Mail: [mail@autop.de](mailto:mail@autop.de)

[www.autop.de](http://www.autop.de)

...a company of the STENHØJ-group!

  
Professional lifting technology!

# Sololift 1.35 Sa

## Components

- hard-chromed cylinder
- corrosion-free guiding element
- SPS - control unit
- pneumatic emergency drain
- installation in waterproof cassette
- use of „bio-oil“ non hazardous to water
- on-floor swivel arm bridge with telescopic swivel arms, height adjustable lifting pads and autom. integrated arm locking system

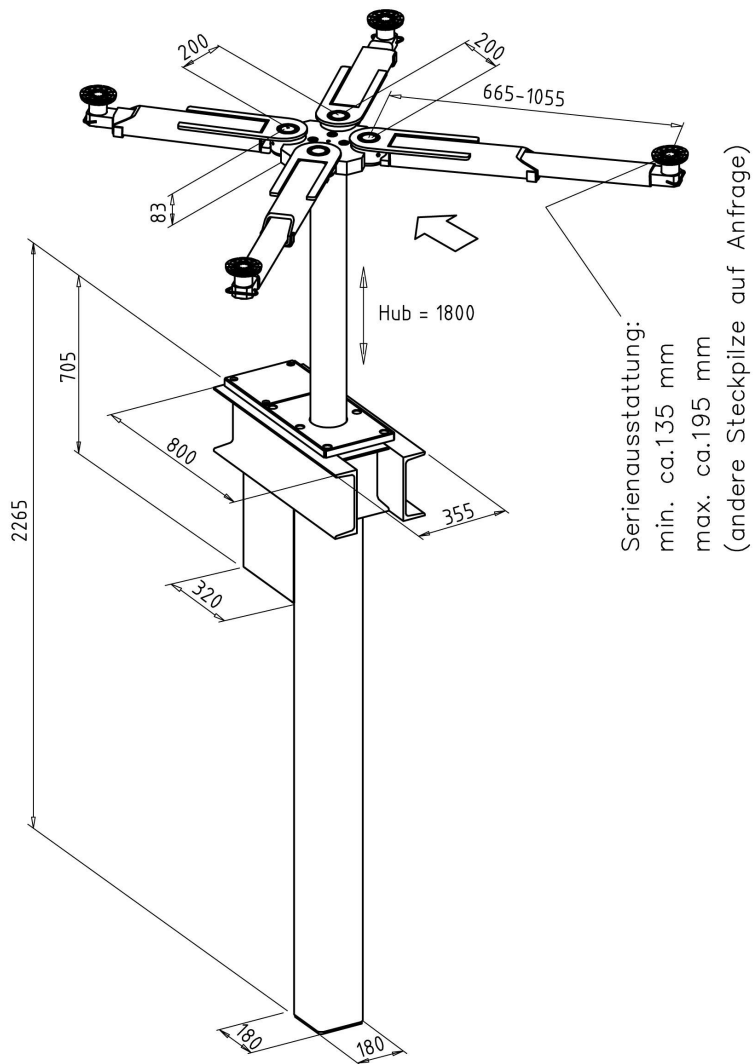
- **Optional extra:**  
wide range of lifting pads

## Standard colour:

RAL 7016 ( grey anthracite )

on request

RAL 5019 ( blue )



## Technical data:

Capacity:	3,500	kg
Cylinder's diameter:	123	mm
Lifting/lowering time:	appr. 30	sec.
Stroke length, dep. on lifting pads:	1,895-2,220	mm
Standard:	1,935-1,995	mm
Lifting height:	1,820	mm
Foundation depth:	2,400	mm
Voltage:	230/400	V
	50	Hz
	16	A
Power unit:	3.0	kW



No liability accepted for specifications that are subject to alteration - validity 07/2011. The date and pictures in this product information are not binding and are only giving an approximate description. Moreover we reserve the right of alteration for technical reasons. The date and pictures given here for technical data, equipment, material and optical appearance, so far as the differences are recognizable for the customer and a possible reduction in value of the goods delivered is not considerable.

## autop Maschinenbau GmbH

Sandkampstr. 90

D-48432 Rheine

Tel. ++49(0)5971/8602-02

Fax ++49(0)5971/8602-25

E-Mail: mail@autop.de

www.autop.de

...a company of the STENHØJ-group!

## Service:

Our expert consultants would appreciate to help you with the planning of a new garage or the modernization of an existing one. We offer to work out a workshop concept incl. an equipment proposal.

**Please do not hesitate to contact us!**

**autop**  
Professional lifting technology

# Always on the top!



## autop Sololift 1.35 Saa

This swivel arm lift is especially suitable for general maintenance and body repair.

The high lifting capacity of 3500 kg and in particular the very wide lifting area because of the telescopic arms allow secure lifting of a wide range of vehicles. The integrated automatic arm locking system ensures a long lifetime and reliable operation.



### autop Maschinenbau GmbH

Sandkampstr. 90

D-48432 Rheine

Tel. ++49(0)5971/8602-02

Fax ++49(0)5971/8602-25

E-Mail: [mail@autop.de](mailto:mail@autop.de)

[www.autop.de](http://www.autop.de)

...a company of the STENHØJ-group!

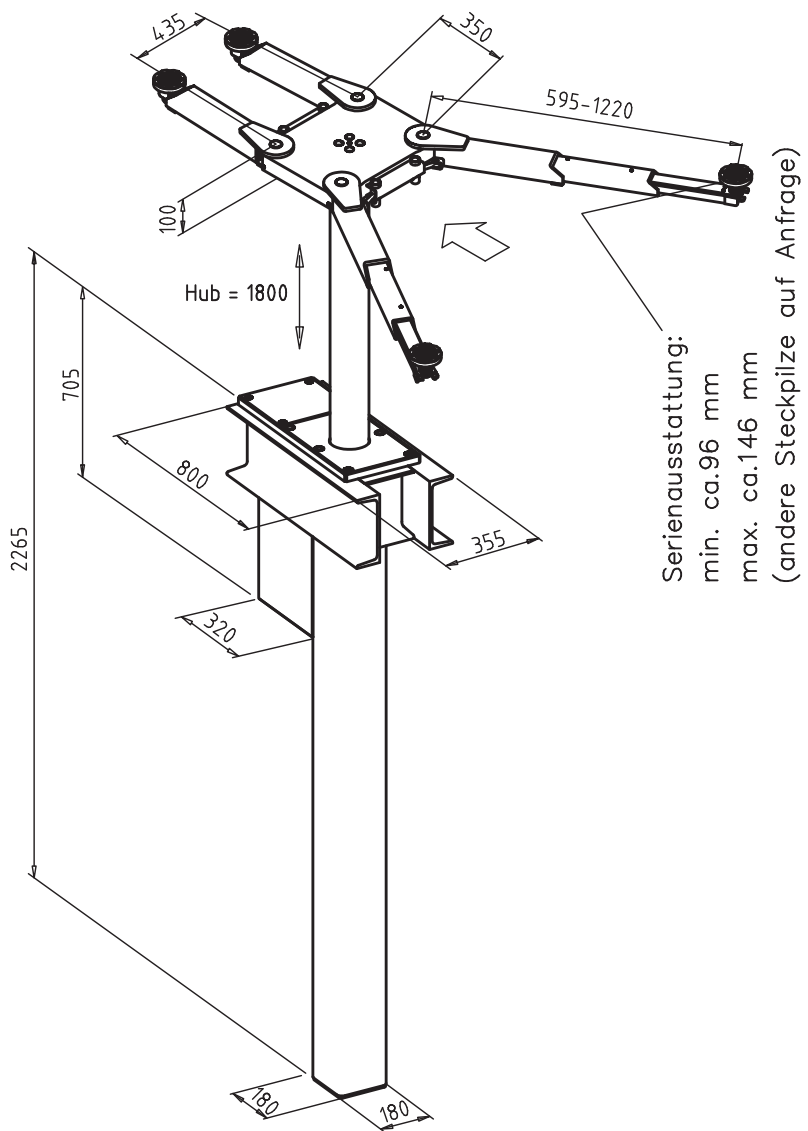
  
Professional lifting technology!

# Sololift 1.35 Saa

## Components

- hard-chromed cylinder
- corrosion-free guiding element
- SPS - control unit
- pneumatic emergency drain
- installation in waterproof cassette
- use of „bio-oil“ non hazardous to water
- on-floor swivel arm bridge with telescopic swivel arms, height adjustable lifting pads and autom. integrated arm locking system

- **Optional extra:**  
wide range of lifting pads



### Technical data:

Capacity:	3,500	kg
Cylinder's diameter:	123	mm
Lifting/lowering time:	appr. 30	sec.
Lifting height, dep. on lifting pads:	1,895-2,220	mm
Standard:	1,935-1,995	mm
Stroke length:	1,800	mm
Foundation depth:	2,400	mm
Voltage:	230/400	V
	50	Hz
	16	A
Power unit:	3.0	kW



No liability accepted for specifications that are subject to: Hersteller - validity 01/2018. The data and pictures in this product information are an approximation. Manufacturer reserves the right of difference between the goods delivered and the data and pictures given here (i.e. technical data, equipment, material and optical appearance); so far as the differences are not made for the customer and a possible reduction in value of the goods delivered is not considerable.

**autop Maschinenbau GmbH**  
Sandkampstr. 90  
D-48432 Rheine  
Tel. ++49(0)5971/8602-02  
Fax ++49(0)5971/8602-25  
E-Mail: mail@autop.de  
www.autop.de

...a company of the STENHØJ-group!

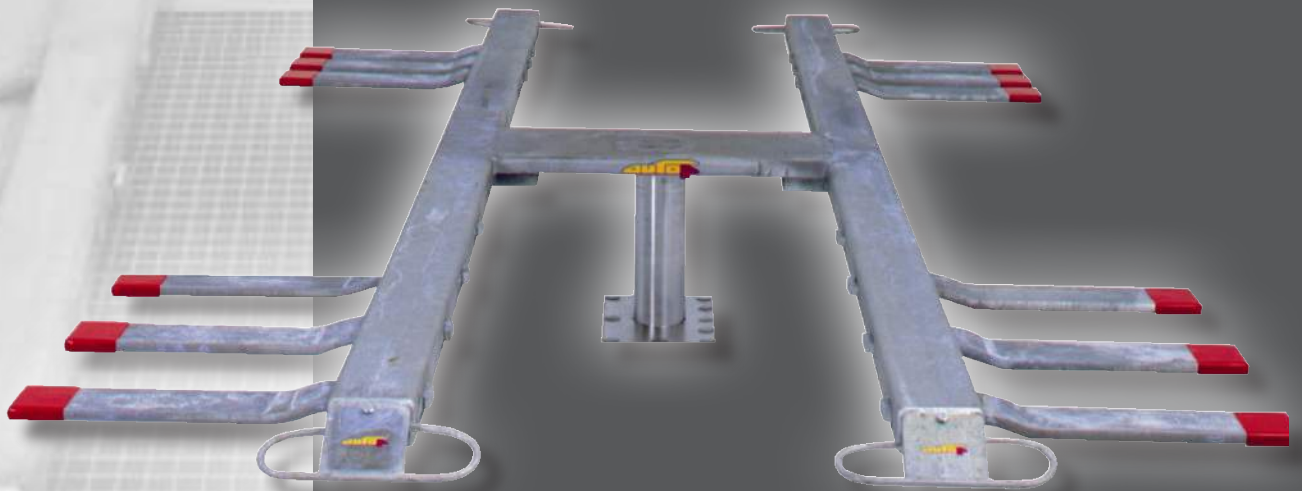
### Service:

Our expert consultants would appreciate to help you with the planning of a new garage or the modernization of an existing one. We offer to work out a workshop concept incl. an equipment proposal.

**Please do not hesitate to contact us!**

**autop**  
Professional lifting technology

# Always on the top!



## autop Sololift 1.30 Fv Uni

The autop Sololift 1.30 Fv Uni is especially suitable for washing, general maintenance and reconditioning of used cars.

Easy access and lifting. The Sololift Fv Uni is a very flexible lift; the lifting area can e.g. be modified to suit vehicles with long wheel bases, by either re-positioning the adaptors, or alternatively fitting more adaptors.

With a minimum height of only 80 mm the Sololift Fv Uni is suitable for also very low vehicles.

The lift is hot galvanized so as to ensure long life and reliable operation.

### autop Maschinenbau GmbH

Sandkampstr. 90

D-48432 Rheine

Tel. ++49(0)5971/8602-02

Fax ++49(0)5971/8602-25

E-Mail: mail@autop.de

www.autop.de

...a company of the STENHØJ-group!

  
Professional lifting technology!



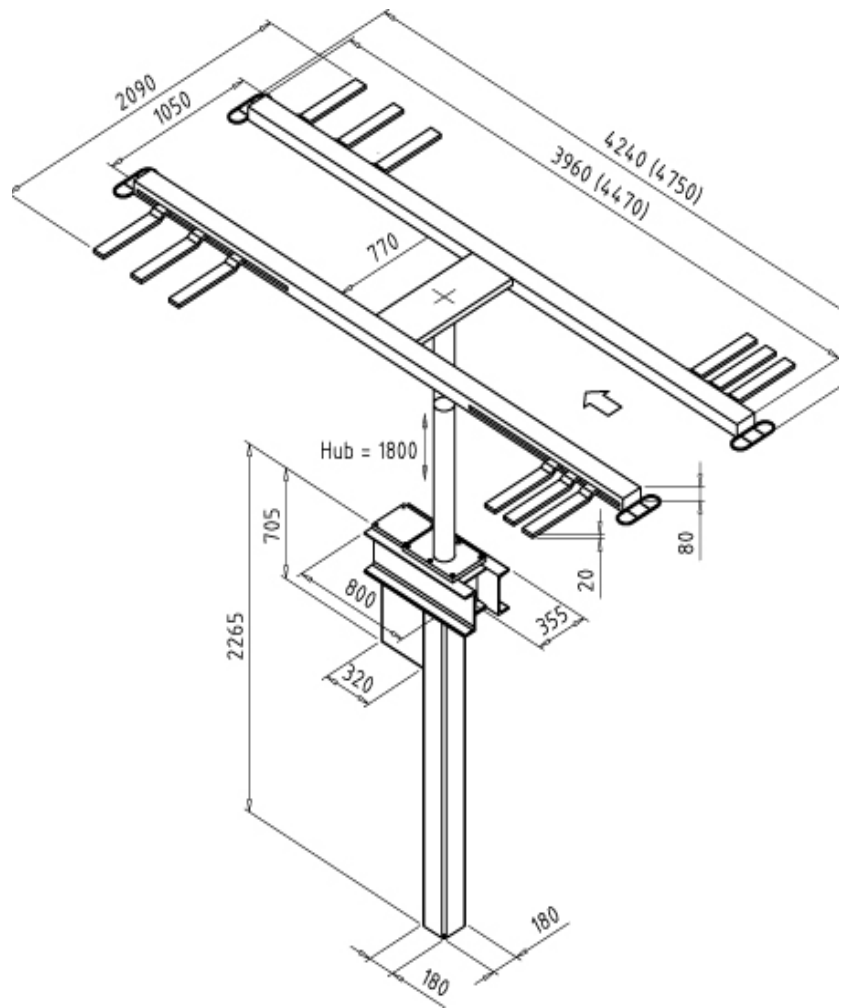
# Sololift 1.30 Fv Uni

## Components

- hard-chromed cylinder
- corrosion-free guiding element
- SPS - control unit
- pneumatic emergency drain
- installation in waterproof cassette
- use of „bio-oil“ non hazardous to water
- on-floor superstructure with hot galvanized sturdy welded rails

### Standard:

hot-galvanized



### Technical data:

Capacity:	3,000	kg
Cylinder's diameter:	123	mm
Lifting/lowering time:	appr. 30	sec.
Stroke length:	1,800	mm
Lifting height:	1,820	mm
Foundation depth:	2,400	mm
Voltage:	230/400	V
	50	Hz
	16	A
Power unit:	3.0	kW

### Superstructure

Length, short version:	4,240	mm
Length, long version:	4,750	mm
Width:	1,050/2,090	mm
Height:	20/80	mm
Wheel base		
short version:	1,800-3,400	mm
long version:	1,800-3,900	mm

### Service:

Our expert consultants would appreciate to help you with the planning of a new garage or the modernization of an existing one. We offer to work out a workshop concept incl. an equipment proposal.

**Please do not hesitate to contact us!**



Notably, acceptances for specifications that are subject to alteration - validity 07/2011. The date and pictures in this product information are not binding and are only giving an approximate description. Moreover we reserve the right of disposal for technical data, equipment, material and price appearance. For all the differences we are responsible for the customer and a possible reduction in value of the goods delivered is not considerable.

## autop Maschinenbau GmbH

Sandkampstr. 90

D-48432 Rheine

Tel. ++49(0)5971/8602-02

Fax ++49(0)5971/8602-25

E-Mail: mail@autop.de

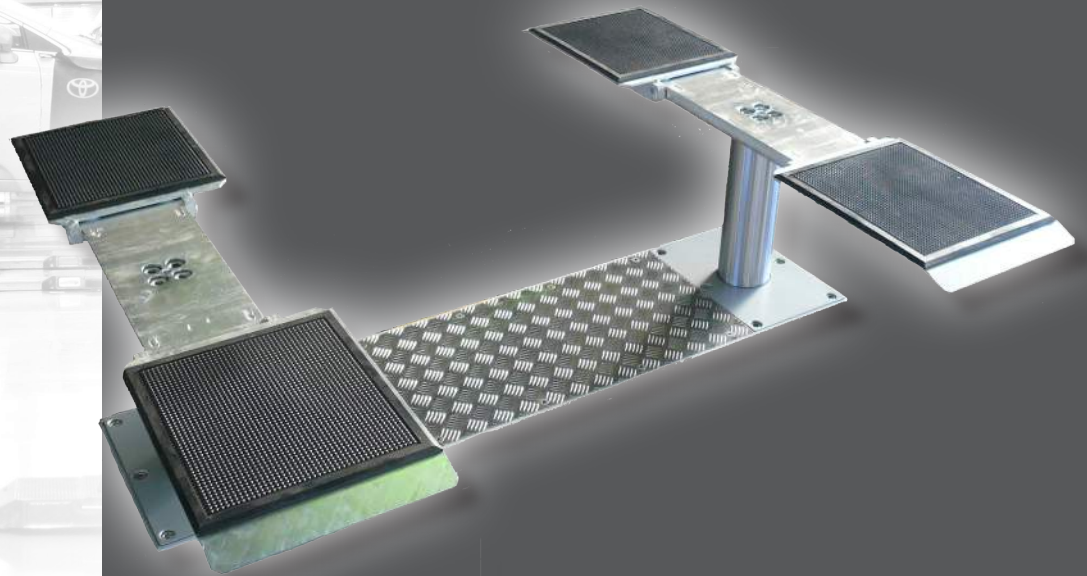
www.autop.de

...a company of the STENHØJ-group!



# The new autop start up model

High quality for a small  
price!

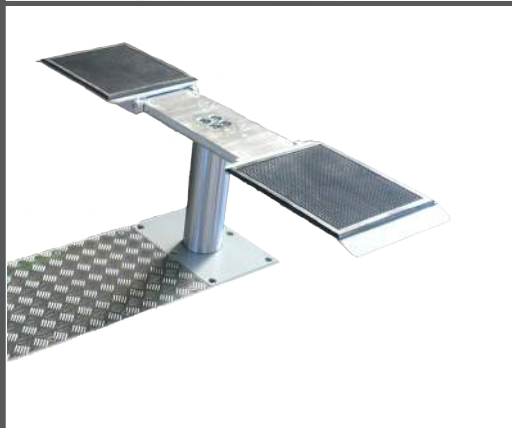


## autop Eurolift 2.30 Pv 140-200, 160-220

The Eurolift 2.30 Pv „repair“ is a uncomplicated and solid hydraulic car lift, appropriate to lift up a great range of vehicles. This lift offers high operational characteristics and efficiency.

The drive-on is comfortable and the length-adjustment is very easy, even if the car is already on the lift.

Handy accessories as rubber blocs complete this standard lift.



### autop Maschinenbau GmbH

Sandkampstr. 90

D-48432 Rheine

Tel. ++49(0)5971/8602-02

Fax ++49(0)5971/8602-25

E-Mail: mail@autop.de

www.autop.de

...a company of the STENHØJ-group!

  
Professional lifting technology!

# Eurolift 2.30 Pv

## Components

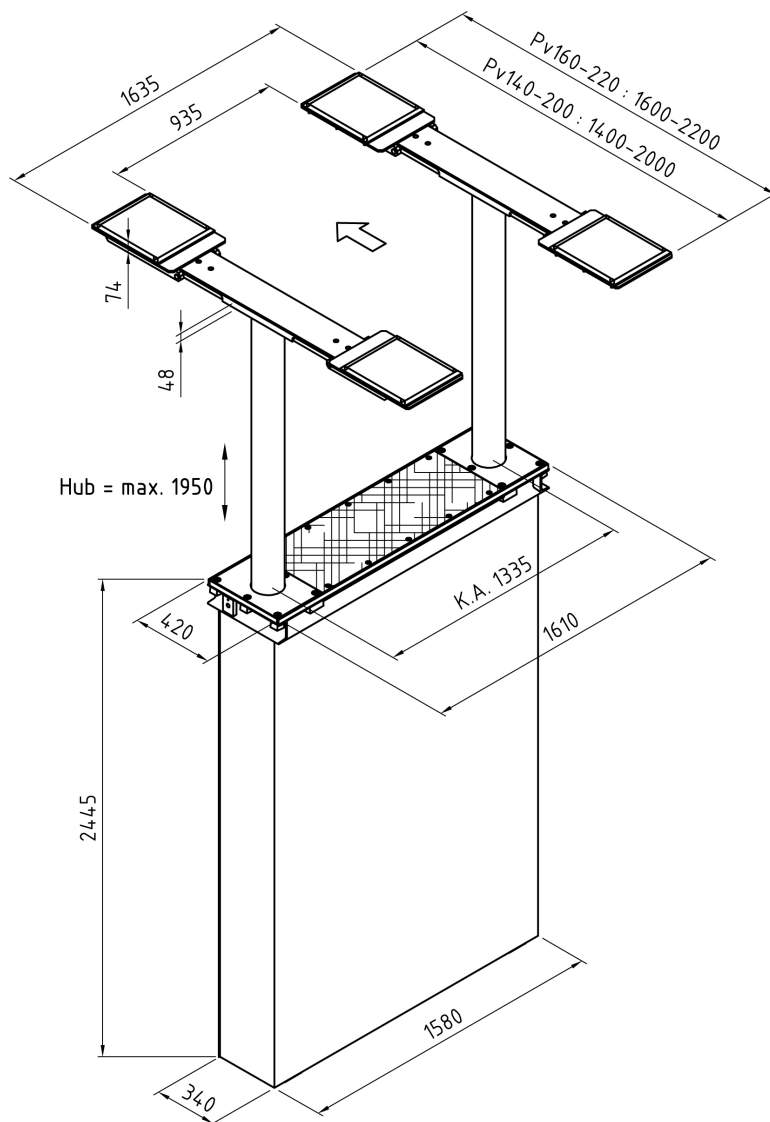
- two hard-chromed hydraulic cylinders
- corrosion-free guiding elements
- control unit
- pneumatic emergency drain
- synchronizing device made of bent U-profiles
- alarm signal activated by initiator
- installation in waterproof cassette
- use of „bio-oil“, non hazardous to water

### Optional extra:

xy-heads for the increase of the lifting area

### Standard:

hot-galvanized



### Technical data:

Capacity:	3,000	kg
Piston distance:	1,335	mm
Cylinders' diameter:	2 x 123	mm
Lifting/lowering time:	30	sec.
Stroke length:	1,950	mm
Lifting height:	2,020	mm
Foundation depth:	2,615	mm
Voltage:	230/400	V
	50	Hz
	16	A
Power unit:	3.0	kW



## autop Maschinenbau GmbH

Sandkampstr. 90

D-48432 Rheine

Tel. ++49(0)5971/8602-02

Fax ++49(0)5971/8602-25

E-Mail: mail@autop.de

www.autop.de

...a company of the STENHØJ-group!

### Service:

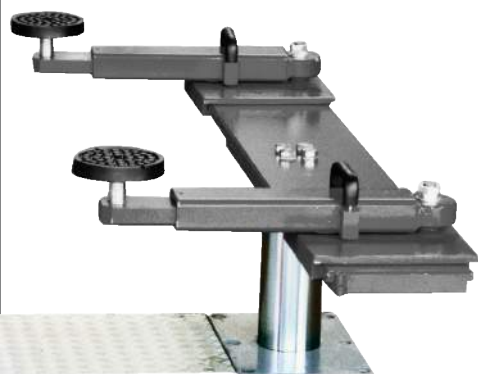
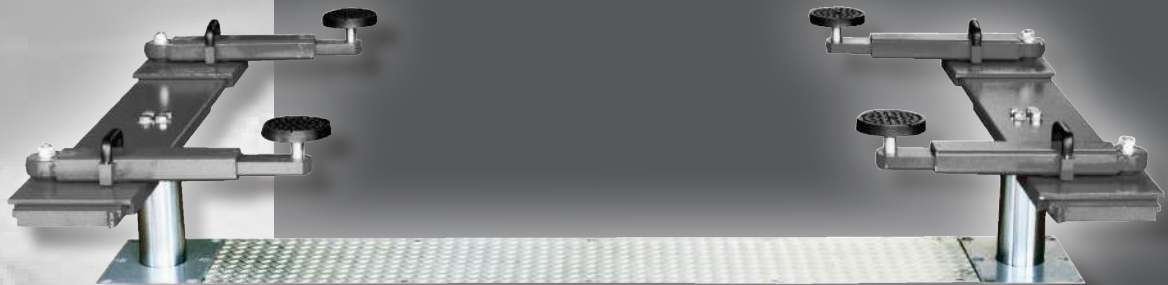
Our expert consultants would appreciate to help you with the planning of a new garage or the modernization of an existing one. We offer to work out a workshop concept incl. an equipment proposal.

**Please do not hesitate to contact us!**

**autop**  
Professional lifting technology

No liability accepted for specifications that are subject to alteration - validity 11/2013. The date and pictures in this product information are not binding and are only giving an approximate description. Moreover we reserve the right of differences between the goods delivered and the date and pictures given here (i.e. technical data, equipment, material and optical appearance) so far as the differences are reasonable for the customer and a possible reduction in value of the goods delivered is not considerable.

# The hardware for your bodyshop!



## autop Masterlift 2.30 Sav 230

This lift allows a comfortable repair of damaged vehicles with a straightening bench. The requirements for a body repair lift are:

- free access to all sides of the vehicle
- drive-in with a straightening bench without obstacle
- flexible and variable swivel arms
- comfortable lifting of the vehicle even with a straightening bench
- security arm locking system

Very flexible lift for body repair.

### autop Maschinenbau GmbH

Sandkampstr. 90

D-48432 Rheine

Tel. ++49(0)5971/8602-02

Fax ++49(0)5971/8602-25

E-Mail: [mail@autop.de](mailto:mail@autop.de)

[www.autop.de](http://www.autop.de)

...a company of the STENHØJ-group!

**autop**<sup>®</sup>  
Professional lifting technology

# Masterlift 2.30 Sav 230

## Components

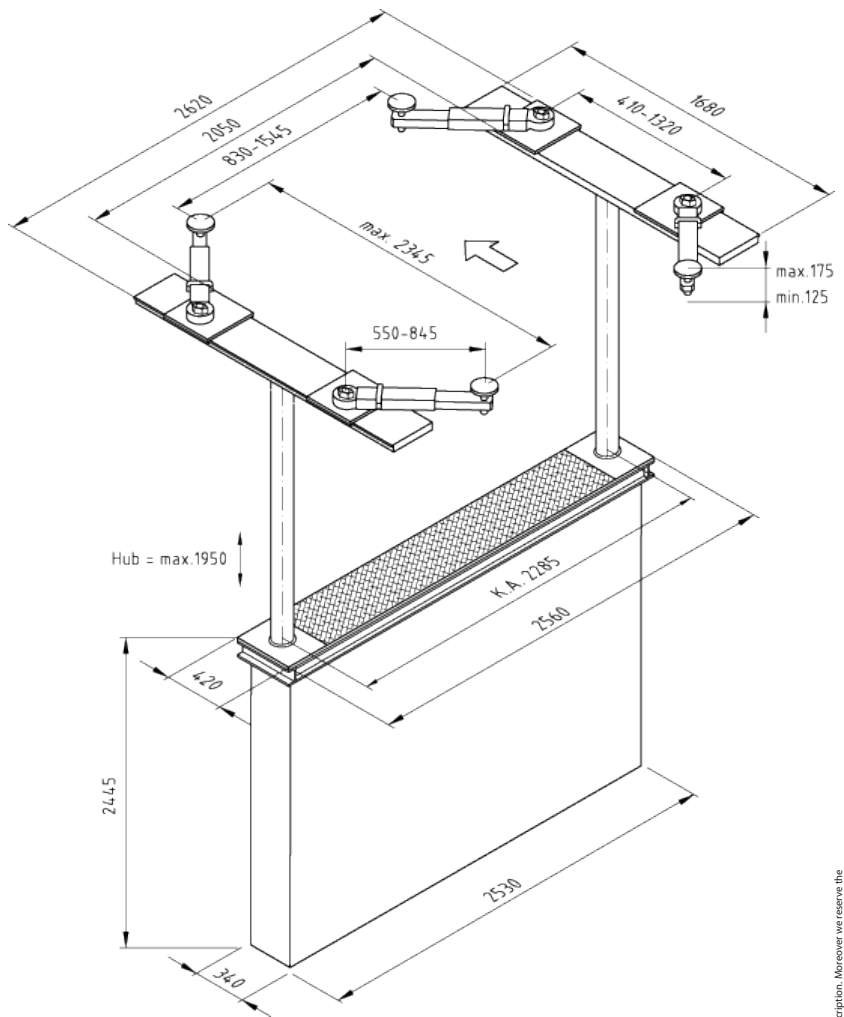
- two hard-chromed hydraulic cylinders
- corrosion-free guiding elements
- SPS - control unit
- pneumatic emergency drain
- flexible synchronizing and safety device
- installation in waterproof cassette
- use of „bio-oil“, non hazardous to water
- two on-floor platforms with four telescopic swivel arms on traverses, in length adjustable, incl. four screw pads Ø 120 mm and height adjustable 125-175 mm

## Standard colour:

RAL 7016 ( grey anthracite )

on request

RAL 5019 ( blue )



## Technical data:

Capacity:	3,000	kg
Piston distance:	2,285	mm
Cylinders' diameter:	2 x 123	mm
Lifting/lowering time:	appr. 30	sec.
Stroke length:	1,950	mm
Lifting height, dep. on lifting pads:	2,075-2,125	mm
Foundation depth:	2,615	mm
Voltage:	230/400	V
	50	Hz
	16	A
Power unit:	3.0	kW



No liability accepted for specifications that are subject to alteration - validity 07/2011. The date and pictures in this product information are not binding and are only giving an approximate description. Moreover we reserve the right of differences between the goods delivered and the data in the pictures given here (i.e. technical data, equipment, material and optical appearance) so far as the differences are reasonable for the customer and a possible reduction in value of the goods delivered is not considerable.

**autop Maschinenbau GmbH**  
Sandkampstr. 90  
D-48432 Rheine  
Tel. ++49(0)5971/8602-02  
Fax ++49(0)5971/8602-25  
E-Mail: mail@autop.de  
www.autop.de

...a company of the STENHØJ-group!

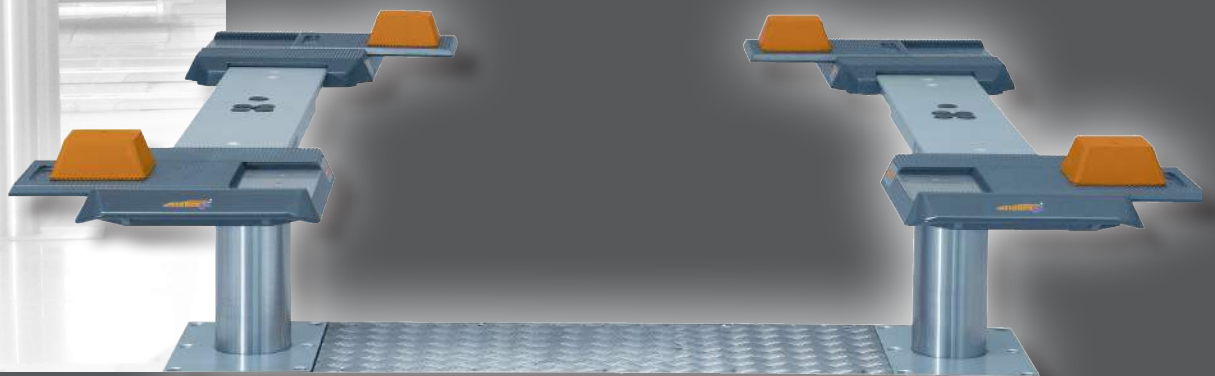
## Service:

Our expert consultants would appreciate to help you with the planning of a new garage or the modernization of an existing one. We offer to work out a workshop concept incl. an equipment proposal.

**Please do not hesitate to contact us!**



# This lift hits the spot!



## autop Masterlift 2.35 Pv/Pv xy 120-180, 140-200, 160-220

The autop Masterlift Pv offers a reliable lifting of a great range of vehicle types, incl. special-purpose vehicles.

This Masterlift platform lift allows a fast and ease drive-on. the handy, pyramidal rubber pads assure a correct lifting at the recommended lifting points. Reduced maintenance by the flexible traverse cross arm and control unit with alarm signal, feet-protectors are not necessary.

### autop Maschinenbau GmbH

Sandkampstr. 90

D-48432 Rheine

Tel. ++49(0)5971/8602-02

Fax ++49(0)5971/8602-25

E-Mail: mail@autop.de

www.autop.de

...a company of the STENHØJ-group!

**autop**<sup>®</sup>  
Professional lifting technology!

# Masterlift 2.35 Pv or Pv xy

## Components

- two hard-chromed hydraulic cylinders
- corrosion-free guiding elements
- SPS - control unit
- pneumatic emergency drain
- flexible synchronizing and safety device
- installation in waterproof cassette
- use of „bio-oil“, non hazardous to water

### Optional extra:

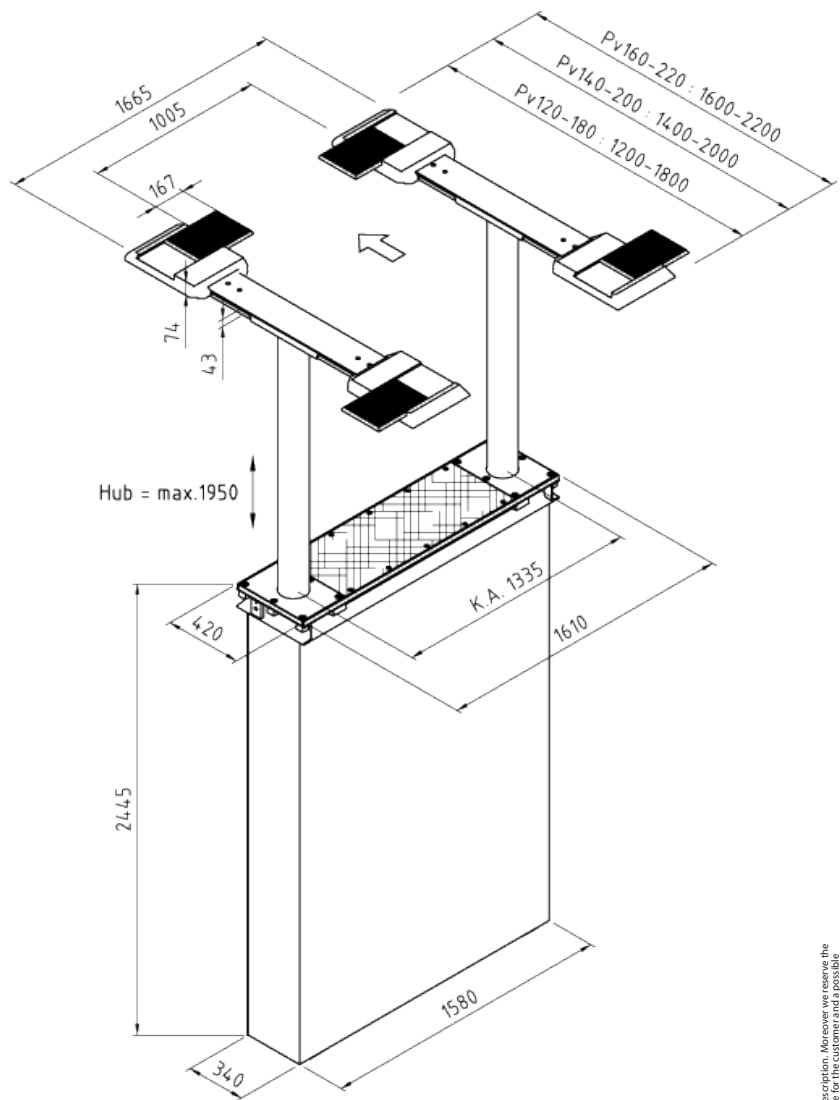
xy-heads for the increase of the lifting area

### Colour:

Standard Pv: hot-galvanized

Premium Pv: zinc-coated and painted in RAL 9006

Special paint: on request



### Technical data:

Capacity:	3,500	kg
Piston distance:	1,335	mm
Cylinders' diameter:	2 x 123	mm
Lifting/lowering time:	30	sec.
Stroke length:	1,950	mm
Lifting height:	2,020	mm
Foundation depth:	2,615	mm
Voltage:	230/400	V
	50	Hz
	16	A
Power unit:	3.0	kW



No liability accepted for specifications that are subject to alteration - validity 07/2011. The date and pictures in this product information are not binding and are only giving an approximate description. Moreover we reserve the right of differences between the goods delivered and the data a net pictures given here (i.e. technical data, equipment, material and optical appearance) so far as the differences are reasonable for the customer and a possible reduction in value of the goods delivered is not considerable.

## autop Maschinenbau GmbH

Sandkampstr. 90

D-48432 Rheine

Tel. ++49(0)5971/8602-02

Fax ++49(0)5971/8602-25

E-Mail: mail@autop.de

www.autop.de

...a company of the STENHØJ-group!

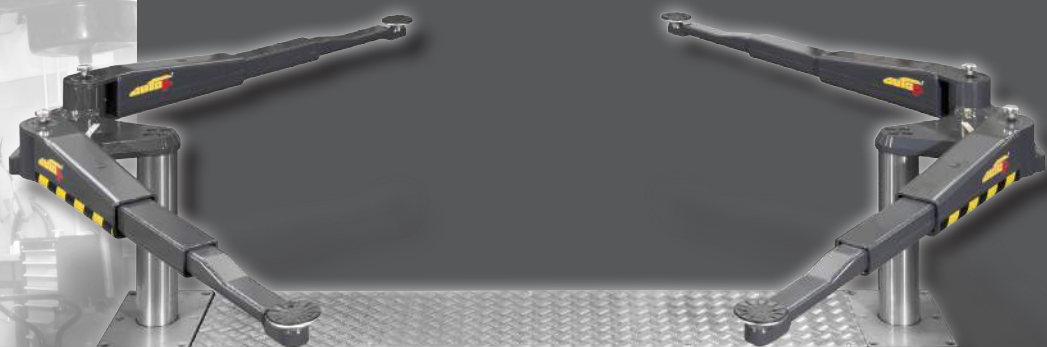
### Service:

Our expert consultants would appreciate to help you with the planning of a new garage or the modernization of an existing one. We offer to work out a workshop concept incl. an equipment proposal.

**Please do not hesitate to contact us!**

**autop**  
Professional lifting technology

# The multi-purpose lift!



## autop Masterlift 2.35 Saa 230 Sport / Universal

This new swivel arm lift has been conceived for private cars, off-roaders, transporters and sport cars. The access of the underbody is completely free. The piston distance „2300 mm“ allows an easy access even with very low cars. The vehicles can drive or be pushed through. The great lifting area covers nearly all the lifting points of the different vehicles.



### autop Maschinenbau GmbH

Sandkampstr. 90

D-48432 Rheine

Tel. ++49(0)5971/8602-02

Fax ++49(0)5971/8602-25

E-Mail: [mail@autop.de](mailto:mail@autop.de)

[www.autop.de](http://www.autop.de)

...a company of the STENHØJ-group!

  
Professional lifting technology!



# Masterlift 2.35 Saa 230 Sport / Universal

## Components

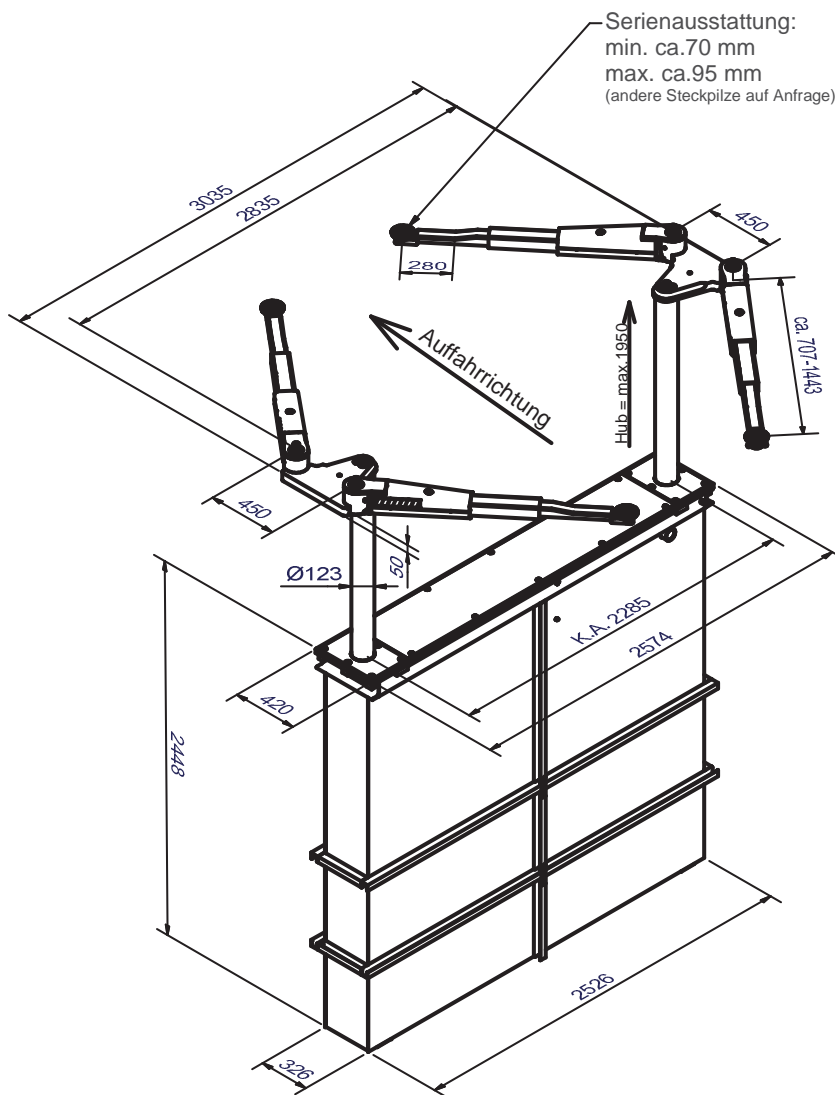
- two hard-chromed hydraulic cylinders
- corrosion-free guiding elements
- SPS - control unit
- pneumatic emergency drain
- flexible synchronizing and safety device
- installation in waterproof cassette
- use of „bio-oil“, non hazardous to water
- two on-floor swivel arm bridges with double telescopic arms and height adjustable lifting pads as well as integrated automatic arm locking system

### Standard colour:

RAL 7016 ( grey anthracite )

on request

RAL 5019 ( blue )



### Technical data:

Capacity:	3,500	kg
Piston distance:	2,285	mm
Cylinders' diameter:	2 x 123	mm
Lifting/lowering time:	appr. 30	sec.
Stroke length:	1,950	mm
Lifting height, dep. on lifting pads:	2,020-2,370	mm
Sport:	2,020-2,045	mm
Universal:	2,045-2,085	mm
Foundation depth:	2,615	mm
Voltage:	230/400	V
	50	Hz
	16	A
Power unit:	3.0	kW



No liability accepted for specifications that are subject to alteration - validity 10/2013. The data and pictures in this product information are not binding and are only giving an approximate description. Moreover we reserve the right of differences between the goods delivered and the data and pictures given here. (In technical data, equipment, material and optical appearance) / 30 for the differences are responsible for the customer and a possible reduction in value of the goods delivered is not considered.

### autop Maschinenbau GmbH

Sandkampstr. 90

D-48432 Rheine

Tel. ++49(0)5971/8602-02

Fax ++49(0)5971/8602-25

E-Mail: mail@autop.de

www.autop.de

...a company of the STENHØJ-group!

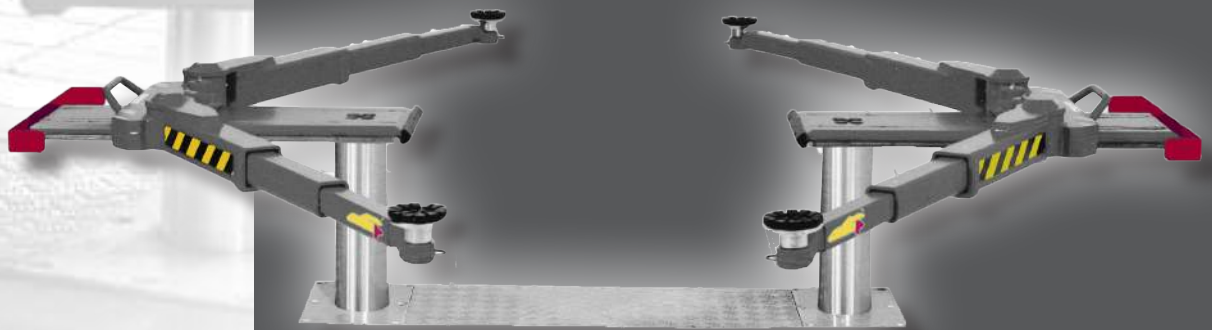
### Service:

Our expert consultants would appreciate to help you with the planning of a new garage or the modernization of an existing one. We offer to work out a workshop concept incl. an equipment proposal.

**Please do not hesitate to contact us!**

**autop**  
Professional lifting technology

# A real allrounder!



## autop Masterlift 2.35 Saav 135

The swivel arm lift Masterlift „Van“ has been developed to lift up a very large range of private cars as well as off-roaders, great volume cars and light goods vehicles. The large lifting area allows a professional lifting from city cars up to long transporters.

These swivel arm bridges can be easily exchanged with the classic repair platforms. In this way you are able to follow even particular modifications of the service business within your workshop. Individual lifting pads allow a safe lifting of the different vehicles.

### autop Maschinenbau GmbH

Sandkampstr. 90

D-48432 Rheine

Tel. ++49(0)5971/8602-02

Fax ++49(0)5971/8602-25

E-Mail: [mail@autop.de](mailto:mail@autop.de)

[www.autop.de](http://www.autop.de)

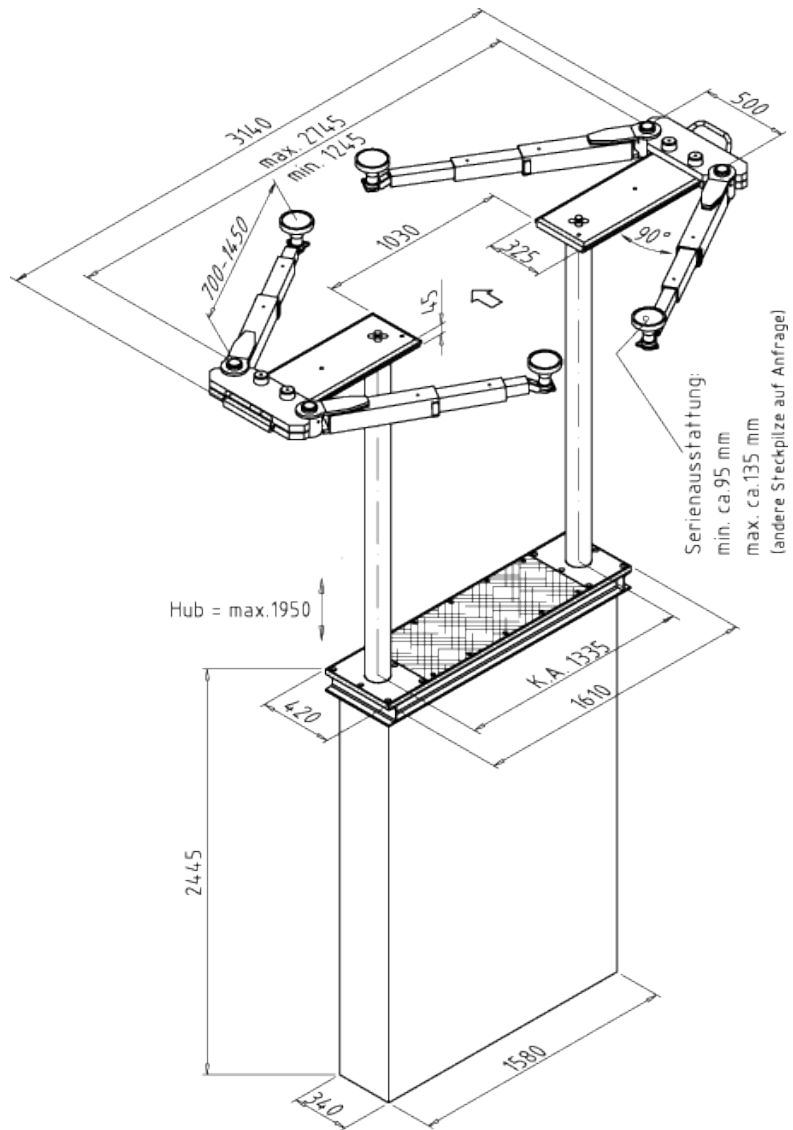
...a company of the STENHØJ-group!

  
Professional lifting technology!

# Masterlift 2.35 Saav 135

## Components

- two hard-chromed hydraulic cylinders
- corrosion-free guiding elements
- SPS - control unit
- pneumatic emergency drain
- flexible synchronizing and safety device
- installation in waterproof cassette
- use of „bio-oil“, non hazardous to water
- two on-floor swivel arm bridges easy to adjust:
  - sliding part on a traverse
  - double telescopic swivel arms
  - height adjustable lifting pads
  - integrated automatic arm locking system



### Technical data:

Capacity:	3,500	kg
Piston distance:	1,335	mm
Cylinders' diameter:	2 x 123	mm
Lifting/lowering time:	appr. 30	sec.
Stroke length:	1,950	mm
Lifting height, dep. on lifting pads:	2,045-2,370	mm
Standard:	2,045-2,085	mm
Foundation depth:	2,615	mm
Voltage:	230/400	V
	50	Hz
	16	A
Power unit:	3.0	kW

### Standard colour:

RAL 7016 ( grey anthracite )

on request

RAL 5019 ( blue )



No liability accepted for specifications that are subject to alteration - validity 07/2011. The date and pictures in this product information are not binding and are only giving an approximate description. Moreover we reserve the right of differences between the goods delivered and the date and pictures given here (i.e. technical data, equipment, material and optical appearance) so far as the differences are reasonable for the customer and a possible reduction in value of the goods delivered is not considerable.

## autop Maschinenbau GmbH

Sandkampstr. 90

D-48432 Rheine

Tel. ++49(0)5971/8602-02

Fax ++49(0)5971/8602-25

E-Mail: mail@autop.de

www.autop.de

...a company of the STENHØJ-group!

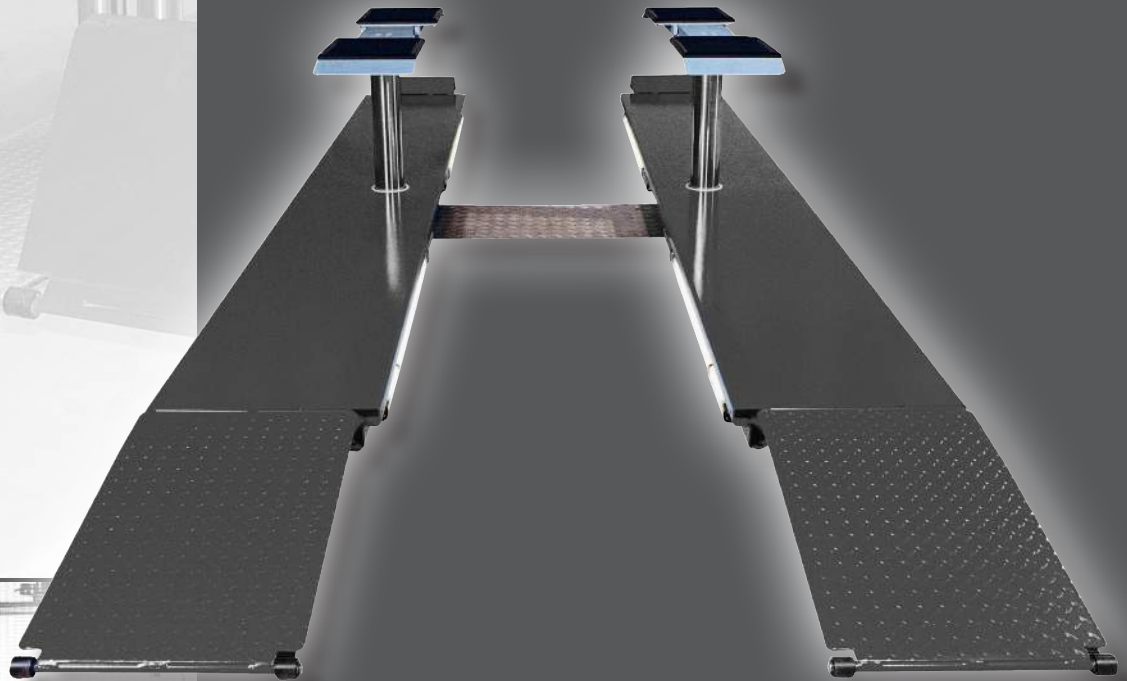
### Service:

Our expert consultants would appreciate to help you with the planning of a new garage or the modernization of an existing one. We offer to work out a workshop concept incl. an equipment proposal.

**Please do not hesitate to contact us!**

**autop**  
Professional lifting technology

# Flexibility is the key!



## autop Masterlift 2.35 Combi Pv or Saav

The Combi is a genuine all-purpose lift. A high quality and efficient diagnostic in the check-in area is given due to the combination of platform lift and wheel-free device Pv or Saav.

During repair works the platforms remain on-floor and the wheel-free devices allow nearly any kind of service work to be done.

Three installation versions are possible:

- on-floor
- recessed in the floor
- recessed in the floor with flush-floor device

### autop Maschinenbau GmbH

Sandkampstr. 90

D-48432 Rheine

Tel. ++49(0)5971/8602-02

Fax ++49(0)5971/8602-25

E-Mail: mail@autop.de

www.autop.de

...a company of the STENHØJ-group!

  
Professional lifting technology!

# Masterlift 2.35 Combi Pv/Saav

## Components

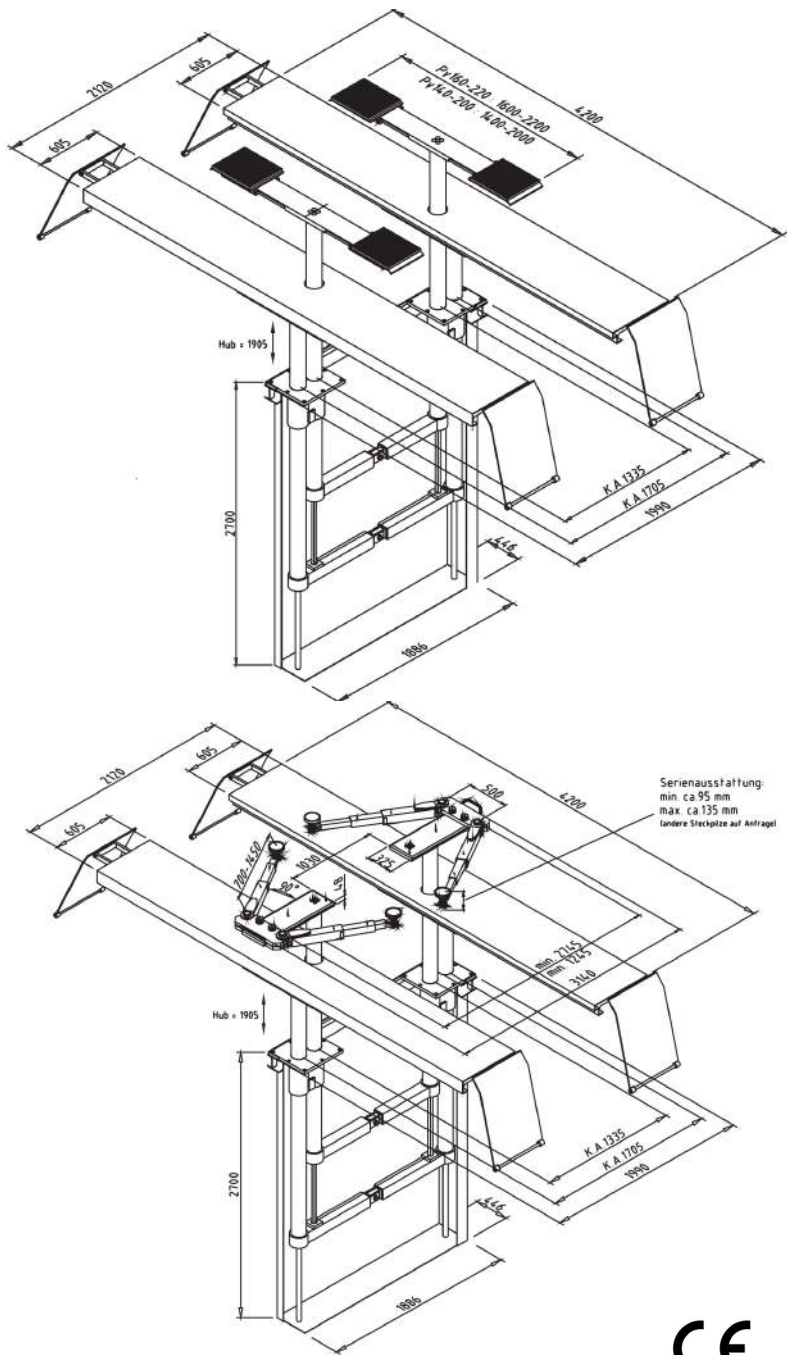
- two separate hydraulic units
- corrosion-free guiding elements
- SPS - control unit
- pneumatic emergency drain
- flexible synchronizing and safety device
- installation in waterproof cassette
- use of „bio-oil“, non hazardous to water
- platforms with anti-sliding surface
- Wheel-free device available:
  - Pv-superstructure ( standard or with xy-function )
  - Saav-superstructure

### Standard colour:

RAL 7016 ( grey anthracite )

on request

RAL 5019 ( blue )



### Technical data

Capacity: 3.500 kg

Piston distance: 1,335/1,705 mm

### Platform

Stroke length: 1,905 mm

Lifting/lowering time: appr. 35 sec.

### Wheel-free device Pv/Saav

Stroke length: 1,905 mm

Lifting/lowering time: appr. 35 sec.

Power unit: 3.0 kW

Voltage: 230/400 V

50 Hz

16 A

### Service:

Our expert consultants would appreciate to help you with the planning of a new garage or the modernization of an existing one. We offer to work out a workshop concept incl. an equipment proposal.

**Please do not hesitate to contact us!**



## autop Maschinenbau GmbH

Sandkampstr. 90

D-48432 Rheine

Tel. ++49(0)5971/8602-02

Fax ++49(0)5971/8602-25

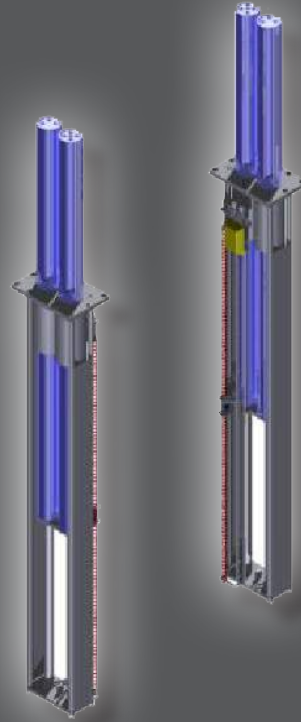
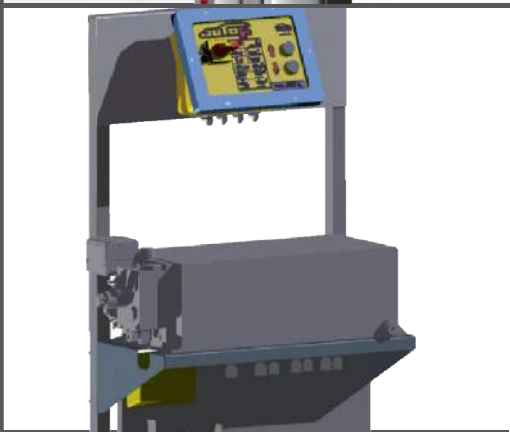
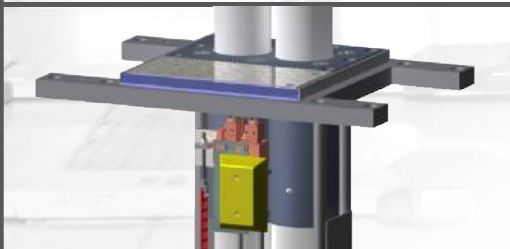
E-Mail: mail@autop.de

www.autop.de

...a company of the STENHØJ-group!

No liability accepted for specifications that are subject to alteration - validly 07/2011. The date and pictures in this product information are not binding and are only giving an approximate description. Moreover we reserve the right of differences between the goods delivered and the date and pictures given here (i.e. technical data, equipment, material and optical appearance) so far as the differences are reasonable for the customer and a possible reduction in value of the goods delivered is not considerable.

# For difficult installations!



## autop Masterlift 4.35 Synchro

Die autop Masterlift with electronic synchronisation is especially suitable for difficult installation situations such as installation in 400 mm drilled holes or plastic tubes. The lifting units are communicating electronically without mechanical cylinder connection. Due to the flexibility of the lifting units individual piston distances can be realized. No mechanical cylinder connection combined with a self-carrying cylinder construction means that various installations are possible:

- ceiling installation
- tube installation
- pit installation

### autop Maschinenbau GmbH

Sandkampstr. 90

D-48432 Rheine

Tel. ++49(0)5971/8602-02

Fax ++49(0)5971/8602-25

E-Mail: [mail@autop.de](mailto:mail@autop.de)

[www.autop.de](http://www.autop.de)

...a company of the STENHØJ-group!

  
Professional lifting technology!

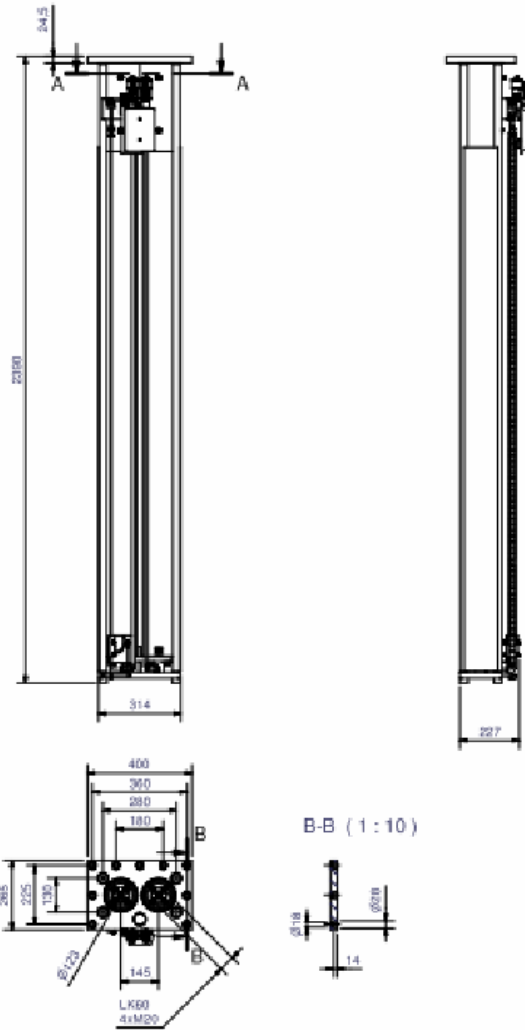
# Masterlift 4.35 Synchro

## Components

- two pairs of inversed hydraulic cylinders
- cylinder running on teflon rings
- separated hydraulic circuits and mechanical connection of the cylinders of one side as safety device
- together with the SPS-control unit steel bearings in a sturdy welded construction, galvanized and painted
- push button control unit with synchronization control, control of the electronic limit switch and alarm signal
- distance between the cylinders and the control unit up to max. 15 m possible
- with position sensor out of casted electronic components and stainless steel as electronical synchronization device.
- pump unit with sub-oil motor
- can be combined with superstructures autop Pv Premium- and swivel arm superstructures with up to 3.5 t.

## OPTIONAL:

- 12071 flat installation frame h=45 mm
- 12070 Pump unit attachment for ceiling installation ML-Synchro (installation of the pump unit at the ceiling of the basement)
- 12069 Pump unit-and control unit column ( if installation on the wall is not possible )



## Technical data:

Capacity:	3,500	kg
Piston distance:	flexible	mm
<i>recommended</i>	1,335/2,285	
Cylinders' diameter:	4 x 123	mm
Stroke length:	1,885	mm
Foundation depth:	2,390	mm
Voltage:	230/400	V
	50	Hz
	16	A
Power unit:	3.0	kW

Self-supporting construction ( no support from the bottom necessary ) Suitable for drilled holes Ø 400 mm.



No liability accepted for specifications that are subject to alteration - validity 07/2011. The date and pictures in this product information are not binding and are only giving an approximate description. Moreover we reserve the right of difference between the goods delivered and the date and pictures given here (i.e. technical data, equipment, material and optical appearance) so far as the differences are reasonable for the customer and a possible reduction in value of the goods delivered is not considered.

**autop Maschinenbau GmbH**  
Sandkampstr. 90  
D-48432 Rheine  
Tel. ++49(0)5971/8602-02  
Fax ++49(0)5971/8602-25  
E-Mail: mail@autop.de  
www.autop.de

...a company of the STENHØJ-group!

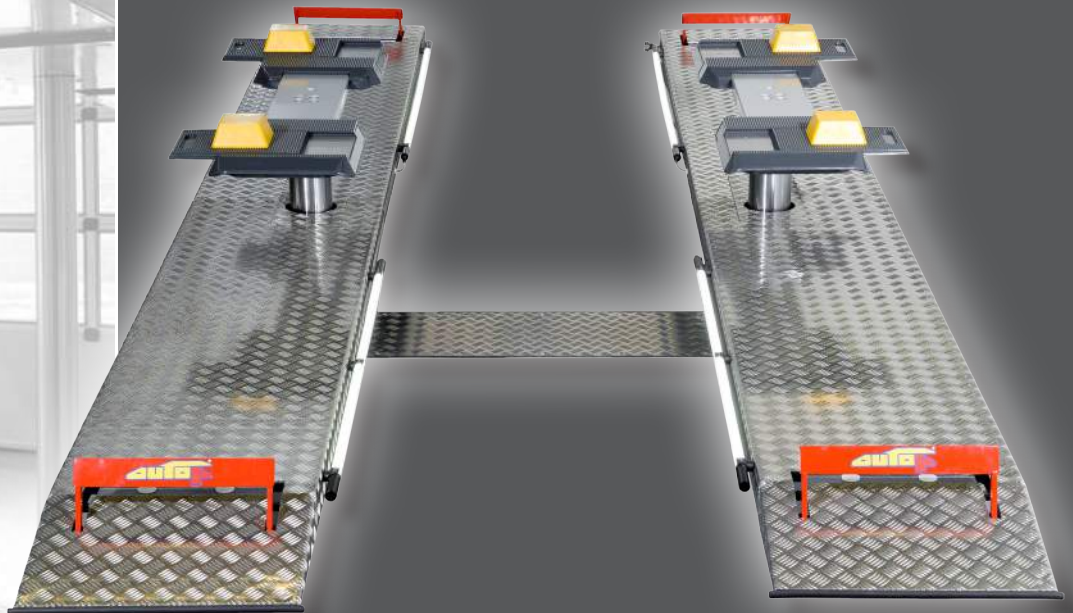
## Service:

Our expert consultants would appreciate to help you with the planning of a new garage or the modernization of an existing one. We offer to work out a workshop concept incl. an equipment proposal.

**Please do not hesitate to contact us!**

**autop**  
Professional lifting technology

# The pro wants autop!



## autop Masterlift 2.35 Combi Check-in

The model autop Masterlift „Check-in“ has been improved and optimized. The result is a new „Check-in“ with still more functionality for the reception area. Also the design elements were taken into consideration.

The handy, pyramidal rubber pads assure a correct lifting at the recommended lifting points.

Xy-heads increase the lifting area considerably.

The hydraulic unit consists in proven components. The synchronizing/safety device is the most reliable on the market. The construction is simple and nearly without any wear due to the well proven components.

### autop Maschinenbau GmbH

Sandkampstr. 90

D-48432 Rheine

Tel. ++49(0)5971/8602-02

Fax ++49(0)5971/8602-25

E-Mail: [mail@autop.de](mailto:mail@autop.de)

[www.autop.de](http://www.autop.de)

...a company of the STENHØJ-group!

  
Professional lifting technology!



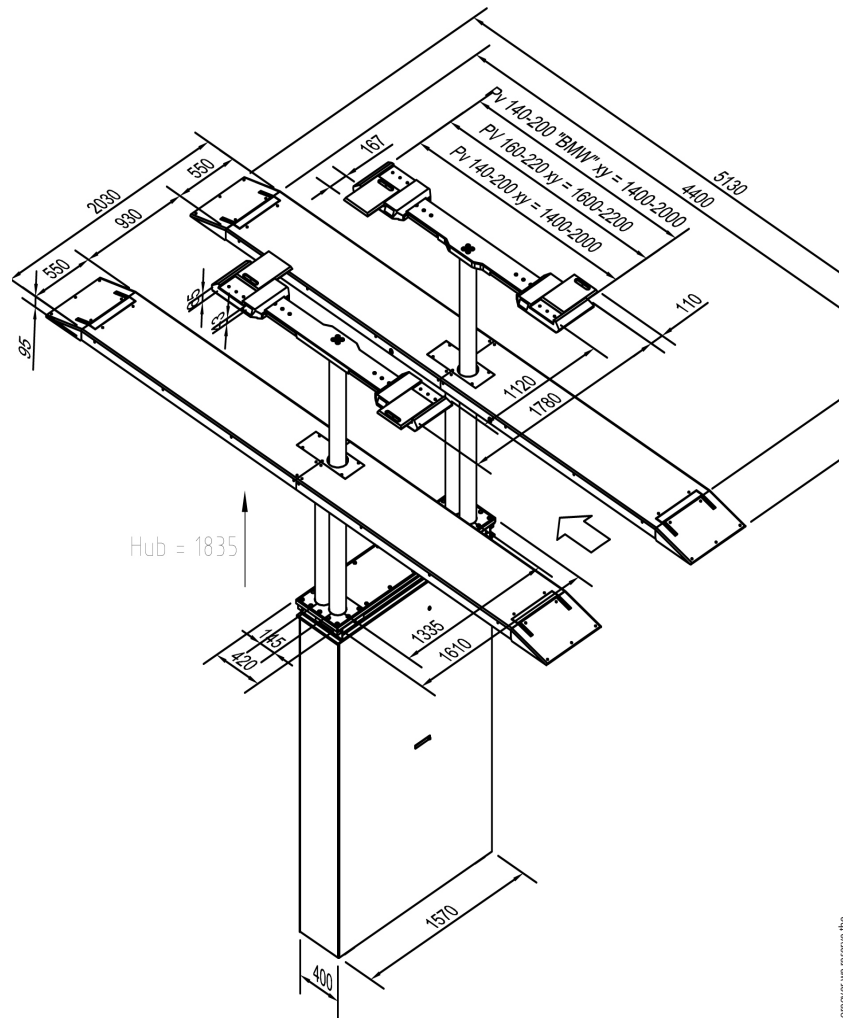
# Masterlift 2.35 Combi Check-in

## Components

- two separate hydraulic units
  - hard-chromed cylinders
  - corrosion-free guiding elements
  - SPS - control unit
  - pneumatic emergency drain
  - flexible synchronizing and safety device
  - illumination as standard equipment
  - installation in a waterproof cassette
  - use of „bio-oil“ , non hazardous to water
- **Installation possibilities:**
- on-floor
  - recessed in the floor

## Standard colour:

RAL 7016 (grey anthracite)  
aluminium plated



## Technical data:

Capacity:	3,500	kg
Stroke length platforms:	1,835	mm
Length platforms:	4,400	mm
Height platforms:	95	mm
Stroke length wheel-free:	1,835	mm
Height wheel-free:	65	mm
Piston distance:	1,335	mm
Cylinders' diameter:	4 x 123	mm
Lifting/lowering time:	appr. 30	Sek
Foundation depth:	2,650	mm
Voltage:	230/400	V
	50	Hz
	16	A
Power unit:	3.0	kW

## Service:

Our expert consultants would appreciate to help you with the planning of a new garage or the modernization of an existing one. We offer to work out a workshop concept incl. an equipment proposal.

**Please do not hesitate to contact us!**



No liability accepted for specifications that are subject to alteration - validity 07/2012. The date and pictures in this product information are not binding and are only giving an approximate description. Moreover we reserve the right of difference between the goods delivered and the date and pictures given here (i.e. technical data, equipment, material and optical appearance) so far as the differences are reasonable for the customer and a possible reduction in value of the goods delivered is not considerable.

**autop Maschinenbau GmbH**  
Sandkampstr. 90  
D-48432 Rheine  
Tel. ++49(0)5971/8602-02  
Fax ++49(0)5971/8602-25  
E-Mail: mail@autop.de  
www.autop.de

...a company of the STENHØJ-group!

**autop**  
Professional lifting technology

# Professional technology!



## autop Profilift 2.40 F and Fn 460

The technical advance of the Profilift consists in the pneumatic, electric and hydraulic supply inside of the cylinder and not in cable conduit tubes. The cylinder dimensions of  $\varnothing 140 \times 9.5$  mm increase the stability.

The platform lifts F 460 (without wheel-free) and Fn 460 (with wheel-free) consist in 2 on-floor sturdy welded platforms with special shaped profiles, sand-blasted, primed and painted; appropriate drive-on flaps are available in different lengths. Equipped with platform supports and cross-bar the lift responds perfectly to the tolerances for wheel alignment.

The platforms can also be installed recessed in the floor with or without flush-floor device.

### autop Maschinenbau GmbH

Sandkampstr. 90

D-48432 Rheine

Tel. ++49(0)5971/8602-02

Fax ++49(0)5971/8602-25

E-Mail: [mail@autop.de](mailto:mail@autop.de)

[www.autop.de](http://www.autop.de)

...a company of the STENHØJ-group!

**Professional lifting technology!**

# Proflift 2.40 F/Fn 460

## Components

- two hard-chromed hydraulic cylinders
- corrosion-free guiding elements
- SPS - control unit
- pneumatic emergency drain
- flexible synchronizing and safety device
- installation in waterproof cassette
- use of „bio-oil“, non hazardous to water
- platforms with anti-sliding surface

## ■ Possible installations:

- on-floor
- recessed in the floor
- recessed in the floor with flush-floor device

## Optional:

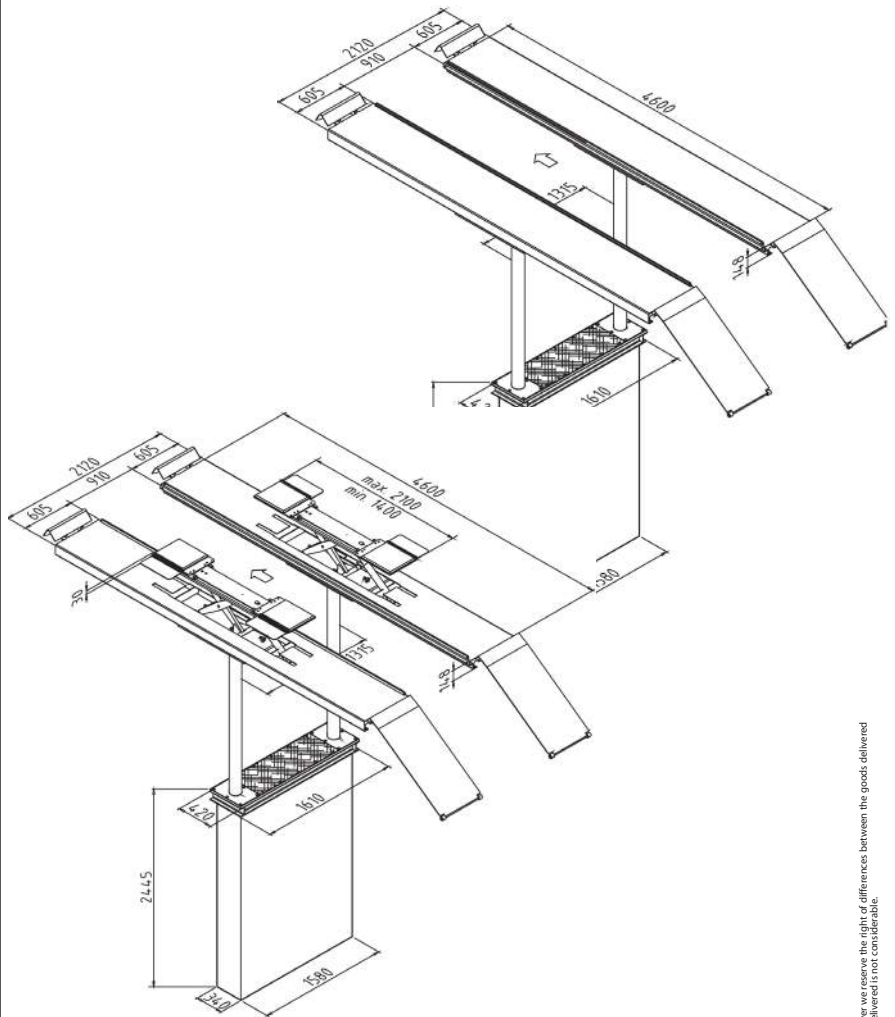
- illumination
- accessories for wheel alignment

## Standard colour:

RAL 7016 ( grey anthracite )

on request

RAL 5019 ( blue )



## Technical data

Capacity:	4.000	kg
Piston distance:	1,315	mm
Stroke length:	1,960	mm
Lifting height:	2,105	mm
Cylinder diameter:	2 x 140	mm
Lifting/lowering time:	appr.. 30	sec.
Pump unit:	3.0	kW
Foundation depth:	2,615	mm
Voltage:	230/400	V
	50	Hz
	16	A

## Platform:

Length:	4,600	mm
Width:	605	mm
Wheel-base, max.:	4,000	mm
Drive-over height:	150	mm

## Wheel-free (Fn460)

Capacity:	3.500 kg
Stroke length:	370 mm
Length:	1400-2100 mm
Lifting/lowering :	appr. 8 sec.
Drive-over height:	25 mm
Lifting height:	2,505 mm

## Jacking beam (F460)

Capacity:	2,000 kg
Stroke length:	250 mm
3-ponts lifting	
middle/	660 / 1,340 mm

## Service:

Our expert consultants would appreciate to help you with the planning of a new garage or the modernization of an existing one. We offer to work out a workshop concept incl. an equipment proposal.

**Please do not hesitate to contact us!**

## autop Maschinenbau GmbH

Sandkampstr. 90

D-48432 Rheine

Tel. ++49(0)5971/8602-02

Fax ++49(0)5971/8602-25

E-Mail: mail@autop.de

www.autop.de

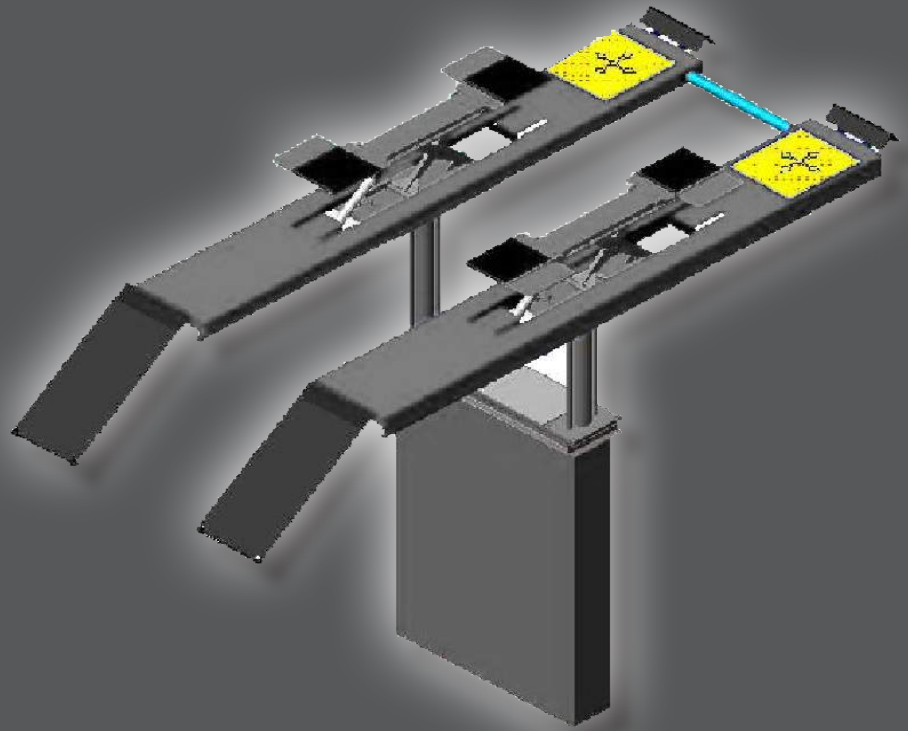
...a company of the STENHØJ-group!



No liability accepted for specifications that are subject to alteration - validity 07/2011. The date and pictures in this product information are not binding and are only giving an approximate description. Moreover we reserve the right of differences between the goods delivered and the date and pictures given here (i.e. technical data, equipment, material and optical appearance) so far as the differences are reasonable for the customer and a possible reduction in value of the goods delivered is not considerable.



# Professional technology!



## autop Proflift 2.40 Fn 460 GST 2500

Hydraulic twin-ram inground lift with platforms, wheel-free device and integrated play detector for check-in, repair and maintenance as well as MOT, testing and reception.

Assessories:

- hydraulic play detector, integrated in the platform on both sides
- two turning plates working in counter rotation
- control of the turning plate via test lamp
- for a fast diagnostic of play in the wheel assembly
- testing can be done even with a loaded vehicle by using the hydraulically controlled turning plates.
- deposit for test lamp integrated in the platform

### autop Maschinenbau GmbH

Sandkampstr. 90

D-48432 Rheine

Tel. ++49(0)5971/8602-02

Fax ++49(0)5971/8602-25

E-Mail: mail@autop.de

www.autop.de

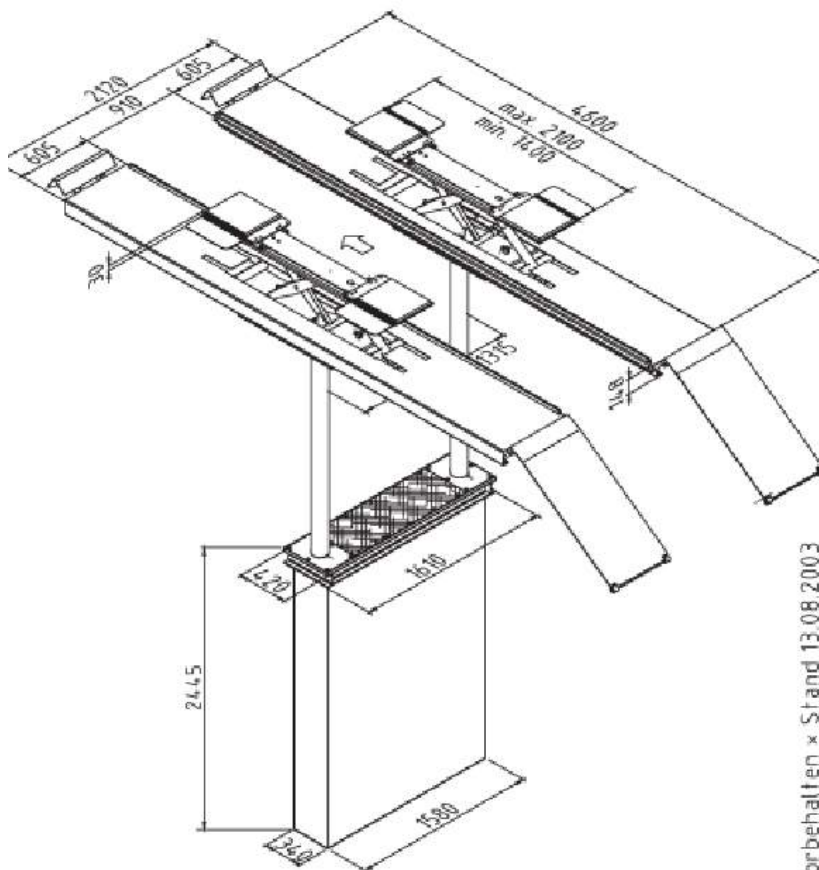
...a company of the STENHØJ-group!

  
Professional lifting technology!

# Proflift 2.40 Fn 460 - GST 2500

## Components

- two hard-chromed hydraulic cylinders
- corrosion-free guiding elements
- SPS - control unit
- pneumatic emergency drain
- flexible synchronizing and safety device
- installation in waterproof cassette
- use of „bio-oil“, non hazardous to water
- two on-floor platforms; appropriate drive-on flaps are available
- platforms with anti-sliding surface
- integrated scissor lift effective as wheel-free device
- integrated play detector



## Standard colour:

RAL 7016 ( grey anthracite )

on request

RAL 5019 ( blue )

## Technical data

Capacity:	4,000	kg
Piston distance:	1,315	mm
Stroke length:	1,960	mm
Lifting height:	2,105	mm
Cylinder diameter:	2 x 140	mm
Lifting/lowering time:	appr. 30	sec.
Pump unit:	3.0	kW
Foundation depth:	2,615	mm
Voltage:	230/400	V
	50	Hz
	16	A

## Platform

Length:	4,600	mm
Width:	605	mm
Wheel-base, max.:	4,000	mm
Drive-over height:	150	mm

## Wheel-free device:

Capacity:	3.500 kg
Stroke length:	370 mm
Length:	1400-2100 mm
Lifting/lowering:	ca. 8 Sek.
Drive-over height:	25 mm

## GST:

Max. axle load:	2500 kg
Drive-over height:	150 mm

## Service:

Our expert consultants would appreciate to help you with the planning of a new garage or the modernization of an existing one. We offer to work out a workshop concept incl. an equipment proposal.

**Please do not hesitate to contact us!**

## autop Maschinenbau GmbH

Sandkampstr. 90

D-48432 Rheine

Tel. ++49(0)5971/8602-02

Fax ++49(0)5971/8602-25

E-Mail: mail@autop.de

www.autop.de

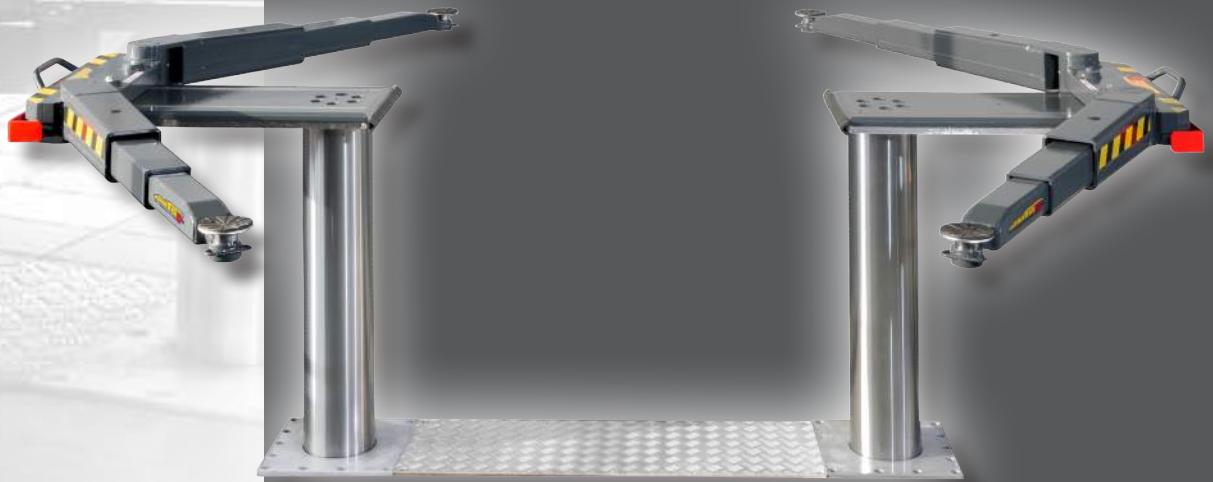
...a company of the STENHØJ-group!



No liability, accepted for specifications that are subject to alteration - validity 07/2011. The date and pictures in this product information are not binding and are only giving an approximate description. Moreover we reserve the right of difference between the goods delivered and the date and pictures given here (i.e. technical data, equipment, material and optical appearance) so far as the differences are reasonable for the customer and a possible reduction in value of the goods delivered is not considerable.



# A real allrounder!



## autop Cargolift 2.50 Saav 145

The swivel arm lift autop Cargolift 2.50 Jumbo is suitable for any kind of repair and maintenance at light goods vehicles or little lorries if free access is required. The solid construction with a piston diameter of Ø 213 mm guarantees an outstanding stability also in case of unfavourable load distribution. Of course this lift can also be used for private cars or off-roaders to compensate free capacities within your workshop. A wide range of lifting pads allows a safe lifting of the different vehicles.

### autop Maschinenbau GmbH

Sandkampstr. 90

D-48432 Rheine

Tel. ++49(0)5971/8602-02

Fax ++49(0)5971/8602-25

E-Mail: [mail@autop.de](mailto:mail@autop.de)

[www.autop.de](http://www.autop.de)

...a company of the STENHØJ-group!

  
Professional lifting technology!

# Cargolift 2.50 Saav 145

## Components

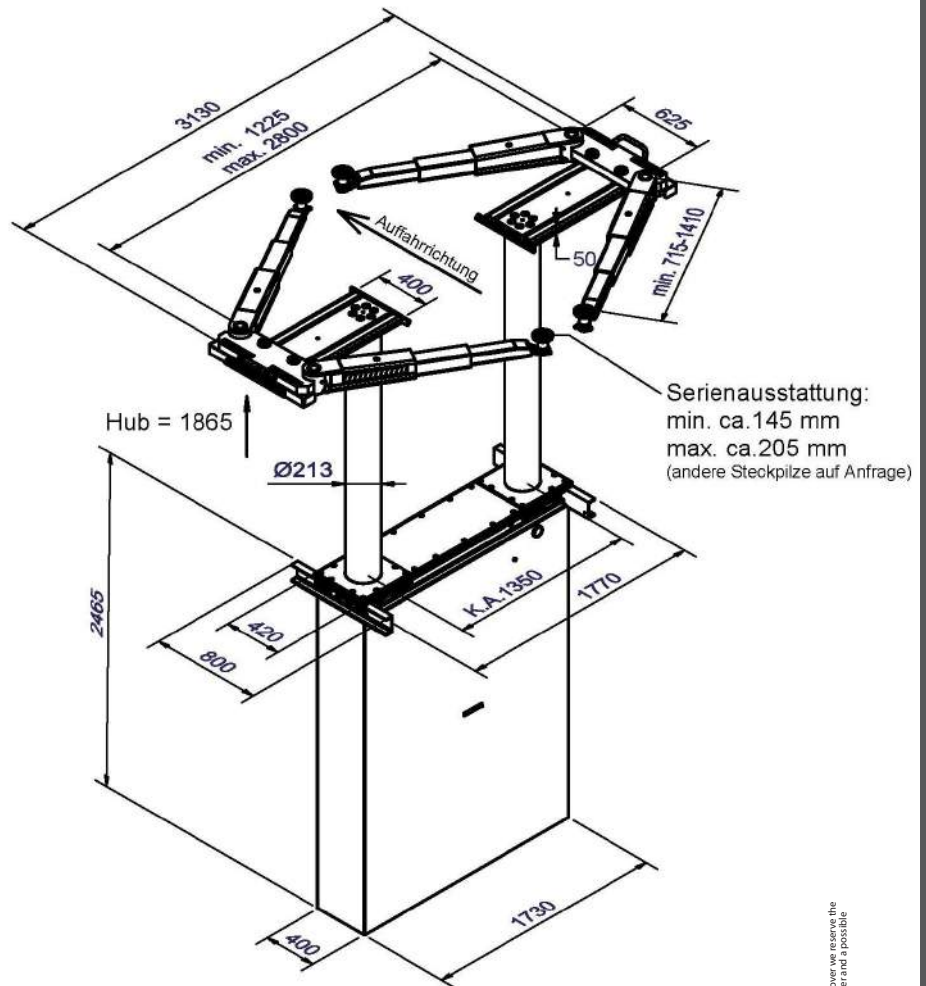
- two hard-chromed hydraulic cylinders
- corrosion-free guiding elements
- SPS - control unit
- pneumatic emergency drain
- flexible synchronizing and safety device
- installation in waterproof cassette
- use of „bio-oil“, non hazardous to water
- two on-floor swivel arm bridges, easy to adjust:
  - sliding part on a traverse
  - double telescopic swivel arms
  - height adjustable lifting pads
  - integrated automatic arm locking system

## Standard colour:

RAL 7016 ( grey anthracite )

on request

RAL 5019 ( blue )



## Technical data:

Capacity:	5,000	kg
Piston distance:	1,350	mm
Cylinders' diameter:	2 x 213	mm
Lifting/lowering time:	appr. 45	sec.
Stroke length:	1,865	mm
Lifting height, dep. on lifting pads		
Standard:	2,010-2,070	mm
Foundation depth:	2,665	mm
Voltage:	230/400	V
	50	Hz
	16	A
Power unit:	3.0	kW



No liability accepted for specifications that are subject to alteration - validity 11/2012. The date and pictures in this product information are not binding and are only giving an approximate description. Moreover we reserve the right of differences between the goods delivered and the date and pictures given here (i.e. technical data, equipment, material and optical appearance) so far as the differences are reasonable for the customer and a possible reduction in value of the goods delivered is not considerable.

## autop Maschinenbau GmbH

Sandkampstr. 90

D-48432 Rheine

Tel. ++49(0)5971/8602-02

Fax ++49(0)5971/8602-25

E-Mail: mail@autop.de

www.autop.de

...a company of the STENHØJ-group!

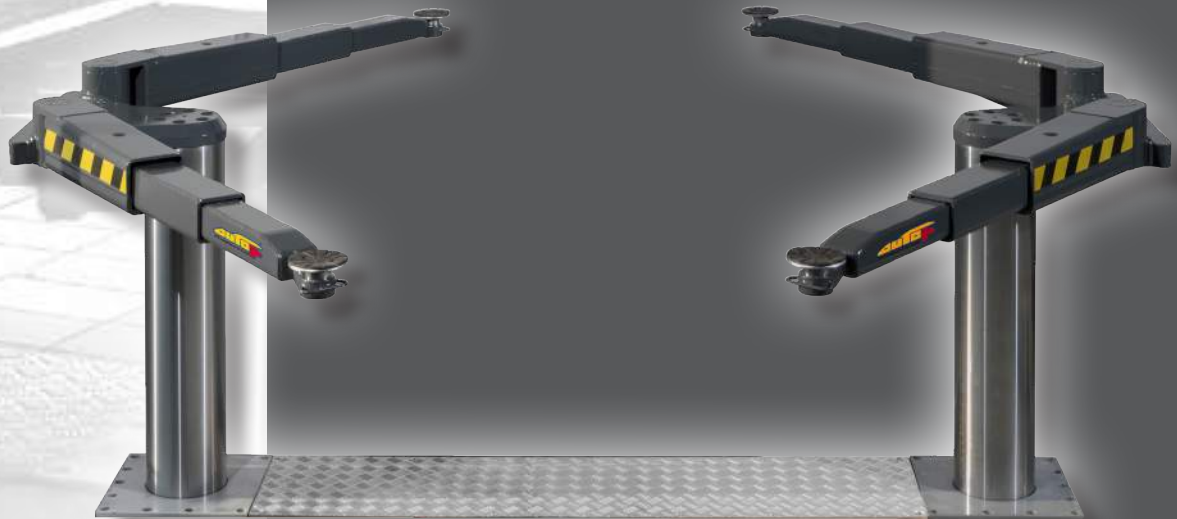
## Service:

Our expert consultants would appreciate to help you with the planning of a new garage or the modernization of an existing one. We offer to work out a workshop concept incl. an equipment proposal.

**Please do not hesitate to contact us!**



# A real allrounder!



## autop Cargolift 2.50 Saa 230

The swivel arm lift autop Cargolift 2.50 Saa 230 is appropriate for all commercial vehicles up to little trucks if all-around free access is demanded especially for body repair works. This lift can also be used for any private cars and 4-wheels drives if complementary capacities are needed.

The piston distance of 2,150 mm allows an easy access, the cars can be driven in between the cylinders.

The solid construction with a cylinder diameter of  $\varnothing$  213 mm guarantees an outstanding stability also in case of unfavourable load distribution

A wide range of lifting pads allows a safe lifting of the different vehicles.



### autop Maschinenbau GmbH

Sandkampstr. 90

D-48432 Rheine

Tel. ++49(0)5971/8602-02

Fax ++49(0)5971/8602-25

E-Mail: mail@autop.de

www.autop.de

...a company of the STENHØJ-group!

  
Professional lifting technology!



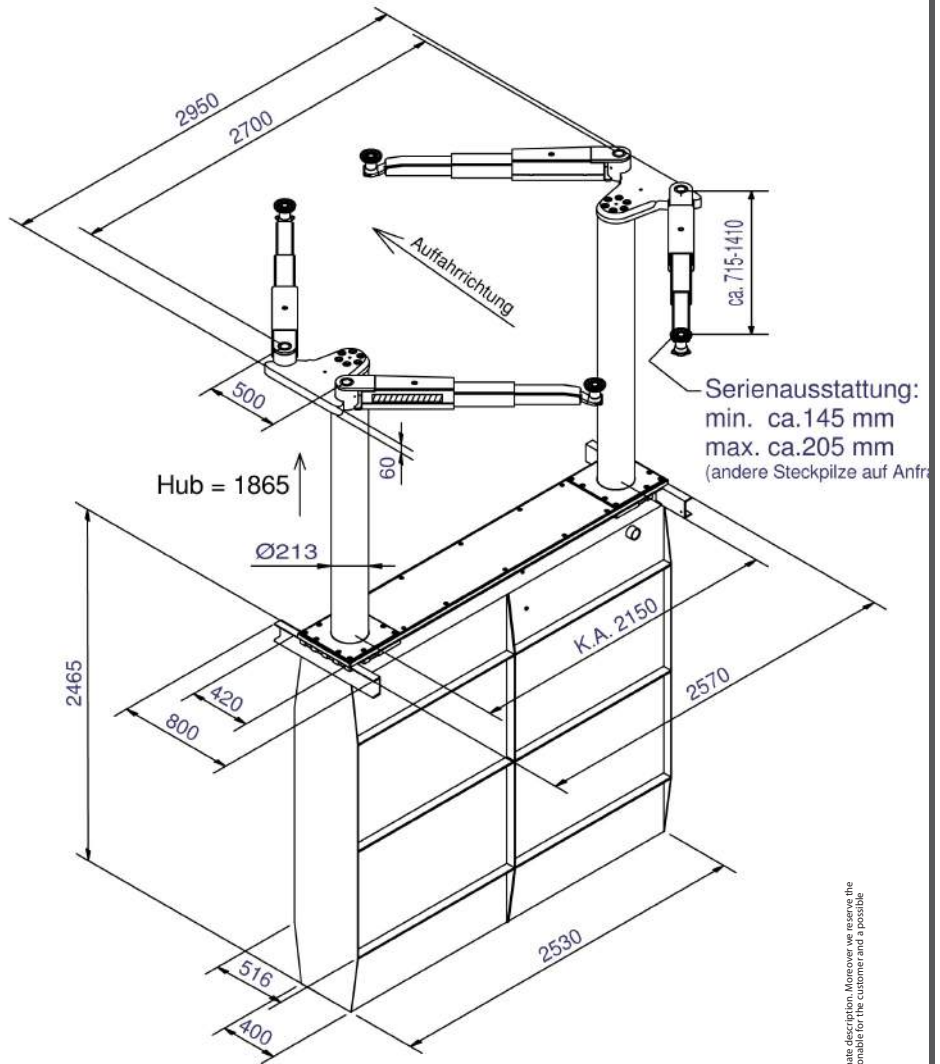
# Cargolift 2.50 Saa 230

## Components

- two hard-chromed hydraulic cylinders
- corrosion-free guiding elements
- SPS - control unit
- pneumatic emergency drain
- flexible synchronizing and safety device
- installation in waterproof cassette
- use of „bio-oil“, non hazardous to water
- two on-floor swivel arm bridges, easy to adjust:
  - double telescopic swivel arms
  - height adjustable lifting pads
  - integrated automatic arm locking system

### Standard colour:

- RAL 7016 ( grey anthracite )
- on request
- RAL 5019 ( blue )



### Technical data:

Capacity:	5,000	kg
Piston distance:	2,150	mm
Cylinders' diameter:	2 x 213	mm
Lifting/lowering time:	appr. 45	sec.
Stroke length:	1,865	mm
Lifting height, dep. on lifting pads		
Standard:	2,010-2,070	mm
Foundation depth:	2,465	mm
Voltage:	230/400	V
	50	Hz
	16	A
Power unit:	3.0	kW



Liability, acceptance for specifications that are subject to alteration - validity 1/2012. The date and pictures in this product information are not binding and are only giving an approximate description. Moreover we reserve the right of disposal for technical data, equipment, material and appearance for the different series and for the different years. Our pictures are not to scale.

**autop Maschinenbau GmbH**  
 Sandkampstr. 90  
 D-48432 Rheine  
 Tel. ++49(0)5971/8602-02  
 Fax ++49(0)5971/8602-25  
 E-Mail: mail@autop.de  
 www.autop.de

...a company of the STENHØJ-group!

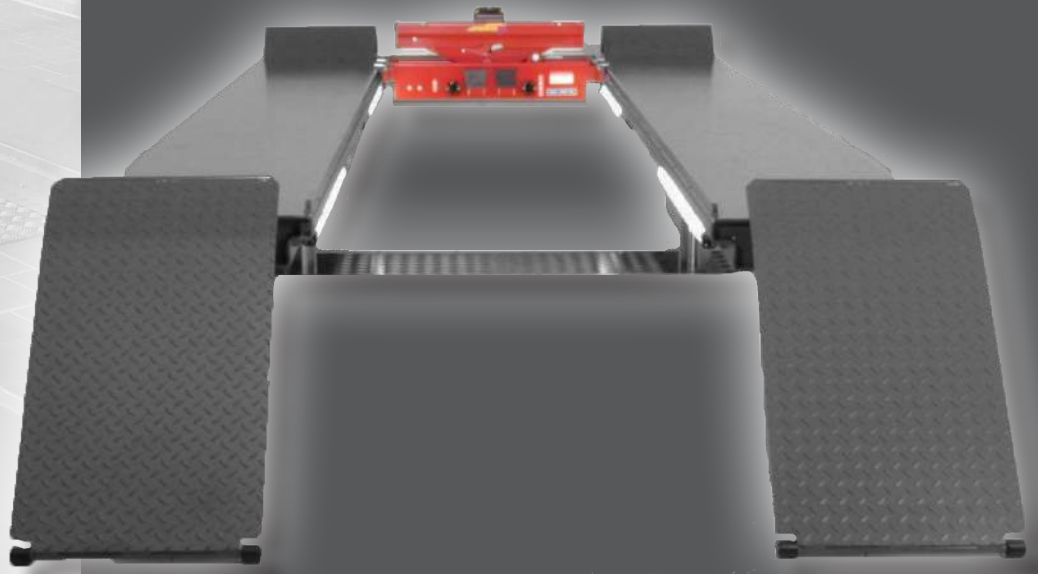
### Service:

Our expert consultants would appreciate to help you with the planning of a new garage or the modernization of an existing one. We offer to work out a workshop concept incl. an equipment proposal.

**Please do not hesitate to contact us!**



# Safety, leading to the top!



## autop Cargolift 2.50 F 480

The Cargolift with platforms has been developed for an ease lifting of utility vehicles with different chassis and wheel bases.

Possible accessories are:

- illumination for the underbody
- platforms installed on-floor or recessed in the floor
- wheel alignment
- axle lifting, also for long wheel bases

### autop Maschinenbau GmbH

Sandkampstr. 90

D-48432 Rheine

Tel. ++49(0)5971/8602-02

Fax ++49(0)5971/8602-25

E-Mail: mail@autop.de

www.autop.de

...a company of the STENHØJ-group!

  
Professional lifting technology!

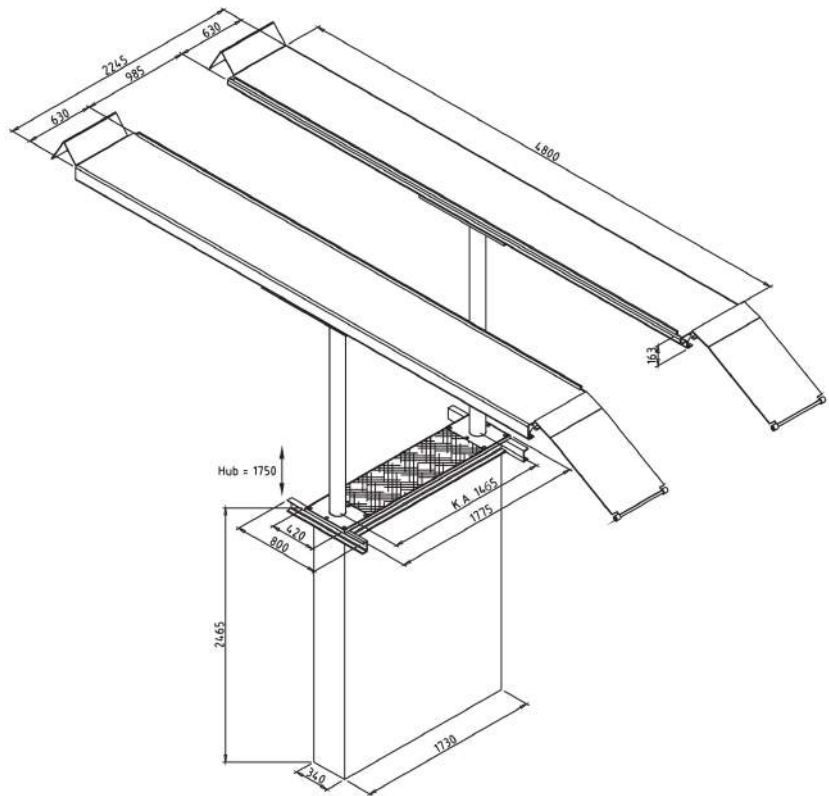
# Cargolift 2.50 F 480

## Components

- two hard-chromed hydraulic cylinders
- corrosion-free guiding elements
- SPS - control unit
- pneumatic emergency drain
- flexible synchronizing and safety device
- installation in waterproof cassette
- use of „bio-oil“, non hazardous to water
- two on-floor platforms, drive-on flaps are available
- platforms with anti-sliding surface

## Optional:

- jacking-beam
- illumination
- wheel alignment package



## Technical data

Capacity:	5,000	kg
Piston distance:	1,465	mm
Stroke length:	1,750	mm
Lifting height:	1,915	mm
Cylinders' diameter:	2 x 140	mm
Lifting/lowering time:	appr. 45	sec.
Pump unit:	3.0	kW
Foundation depth:	2,665	mm
Anschlusswerte:	230/400	V
	50	Hz
	16	A

## Platform

Length:	4,800	mm
Width:	630	mm
Wheel-base, max.:	4,200	mm
Drive-over height:	165	mm

## Jacking beam

Capacity:	2,600	kg
Lifting height:	210	mm
3-points lifting:	middle/690-1500	mm
Function:	air-hydraulic	

## Standard colour:

RAL 7016 ( grey anthracite )

on request

RAL 5019 ( blue )



No liability accepted for specifications that are subject to alteration - validity 07/2011. The date and pictures in this product information are not binding and are only giving an approximate description. Moreover we reserve the right of differences between the goods delivered and the date and pictures given here (i.e. technical data, equipment, material and optical appearance) 1:50 for as the differences are reasonable for the customer and a possible reduction in value of the goods delivered is not considerable.

## autop Maschinenbau GmbH

Sandkampstr. 90

D-48432 Rheine

Tel. ++49(0)5971/8602-02

Fax ++49(0)5971/8602-25

E-Mail: mail@autop.de

www.autop.de

...a company of the STENHØJ-group!

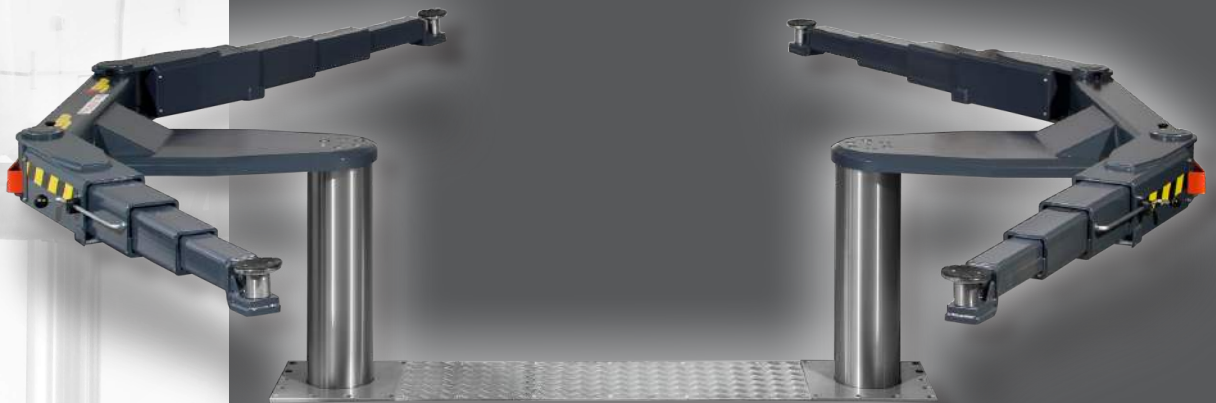
## Service:

Our expert consultants would appreciate to help you with the planning of a new garage or the modernization of an existing one. We offer to work out a workshop concept incl. an equipment proposal.

**Please do not hesitate to contact us!**



# A real big thing!



## autop Biglift 2.65 Saaa 145

The Biglift 2.65 Saaa 145 is a transporter lift which can lift up a very large range of vehicles. Small transporters and city trucks can be lifted without any problems. The solid construction with a piston diameter of  $\varnothing$  213 mm guarantees a safe lifting of up to 6.5 t also in case of unfavourable load distribution. Due to the low drive-over height you can use this lift also for private cars and off-rovers.

The autop Biglift is equipped with triple telescopic arms and is appropriate for all kinds of repairs and maintenance. The arms can be moved more than 90°; this assures an easy access of the lift.

### autop Maschinenbau GmbH

Sandkampstr. 90

D-48432 Rheine

Tel. ++49(0)5971/8602-02

Fax ++49(0)5971/8602-25

E-Mail: mail@autop.de

www.autop.de

...a company of the STENHØJ-group!

  
Professional lifting technology!

# Biglift 2.65 Saaa 145

## Components

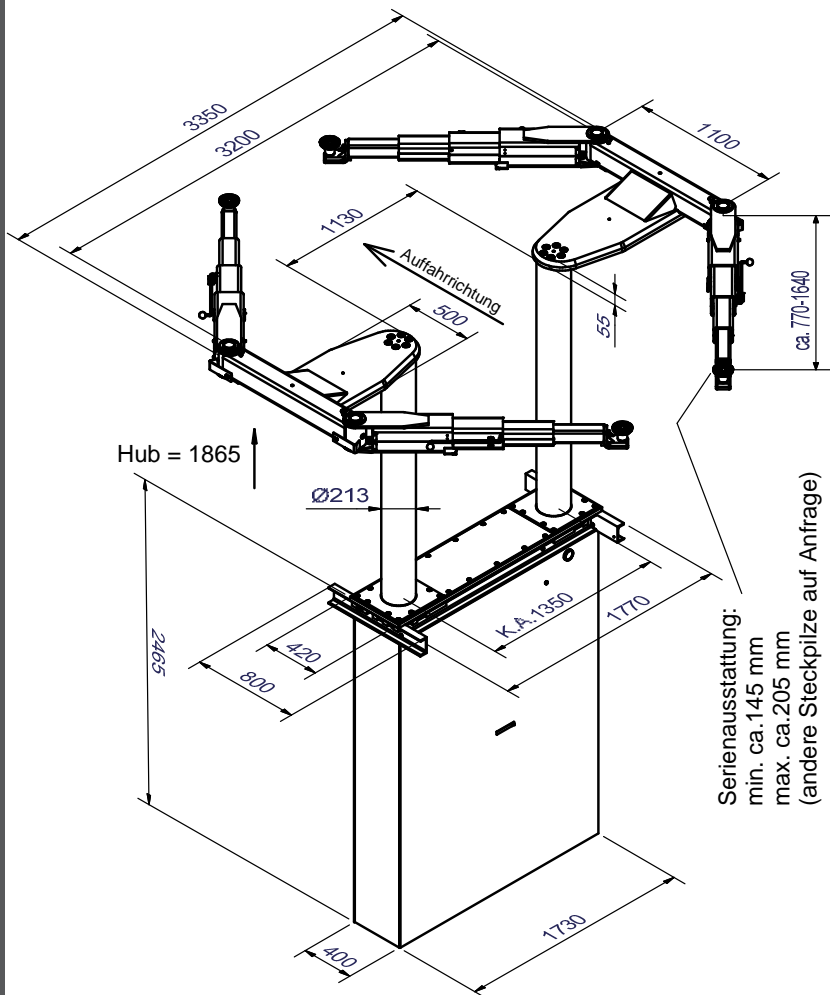
- two hard-chromed cylinders Ø 213 mm
- corrosion-free guiding elements
- SPS - control unit
- pneumatic emergency drain
- flexible synchronizing and safety device
- installation in waterproof cassette
- use of „bio-oil“ non hazardous to water
- two on-floor swivel arm bridges:
  - triple telescopic swivel arms
  - height adjustable lifting pads
  - automatic arm locking system

## Standard colour:

RAL 7016 ( grey anthracite )

on request

RAL 5019 ( blue )



## Technical data:

Capacity:	6,500	kg
Piston distance:	1,350	mm
Cylinders' diameter:	2 x 213	mm
Lifting/lowering time:	appr. 45	sec.
Stroke length:	1,865	mm
Lifting height ( depending on pads ):	1,960-2,285	mm
Foundation depth:	2,665	mm
Voltage:	230/400	V
	50	Hz
	16	A
Power unit:	3.0	kW



No liability accepted for specifications that are subject to alteration - validity 01/2013. The date and pictures in this product information are not binding and are only giving an approximate description. Moreover we reserve the right of differences between the goods delivered and the date and pictures given here (i.e. technical data, equipment, material and optical appearance) so far as the differences are reasonable for the customer and a possible reduction in value of the goods delivered is not considerable.

## autop Maschinenbau GmbH

Sandkampstr. 90

D-48432 Rheine

Tel. ++49(0)5971/8602-02

Fax ++49(0)5971/8602-25

E-Mail: mail@autop.de

www.autop.de

...a company of the STENHØJ-group!

## Service:

Our expert consultants would appreciate to help you with the planning of a new garage or the modernization of an existing one. We offer to work out a workshop concept incl. an equipment proposal.

**Please do not hesitate to contact us!**



# A real big thing!



## autop Biglift 2.65 Saaa 230

The Biglift 2.65 Saaa 230 is a transporter lift which can lift up a very large range of vehicles. Small transporters and city trucks can be lifted without any problems. The solid construction with a piston diameter of  $\varnothing$  213 mm guarantees a safe lifting of up to 6.5 t also in case of unfavourable load distribution. Due to the low drive-over height you can use this lift also for private cars and off-rovers.

The autop Biglift is equipped with triple telescopic arms and is appropriate for all kinds of repairs and maintenance. The arms can be moved more than 90°; this assures an easy access of the lift.

The piston distance of 2300 mm allows an unproblematic drive-on with straightening bench and other support.

### autop Maschinenbau GmbH

Sandkampstr. 90

D-48432 Rheine

Tel. ++49(0)5971/8602-02

Fax ++49(0)5971/8602-25

E-Mail: mail@autop.de

www.autop.de

...a company of the STENHØJ-group!

  
Professional lifting technology!

# Biglift 2.65 Saaa 230

## Components

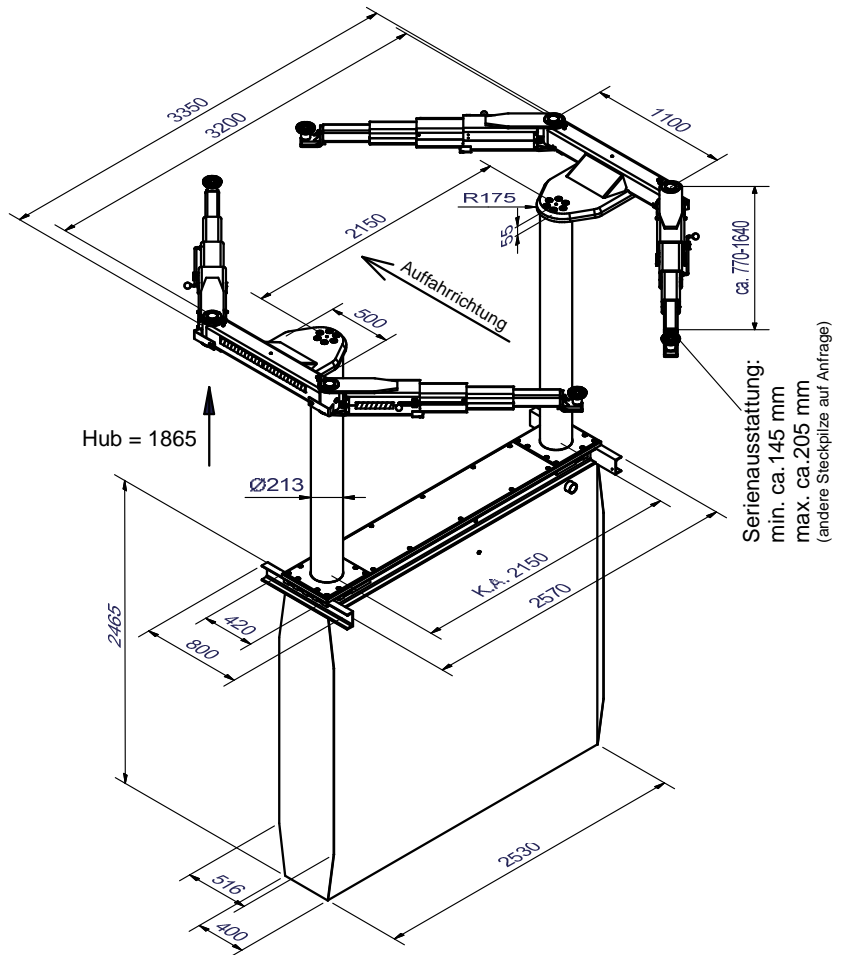
- two hard-chromed cylinders Ø 213 mm
- corrosion-free guiding elements
- SPS - control unit
- pneumatic emergency drain
- flexible synchronizing and safety device
- installation in waterproof cassette
- use of „bio-oil“ non hazardous to water
- two on-floor swivel arm bridges:
  - triple telescopic swivel arms
  - height adjustable lifting pads
  - automatic arm locking system

### Standard colour:

RAL 7016 ( grey anthracite )

on request

RAL 5019 ( blue )



### Technical data:

Capacity:	6,500	kg
Piston distance:	2.150	mm
Cylinders' diameter:	2 x 213	mm
Lifting/lowering time:	appr. 45	sec.
Stroke length:	1,865	mm
Lifting height ( depending on pads ):	2,020-2,285	mm
Standard:	2,020-2,070	mm
Foundation depth:	2,665	mm
Voltage:	230/400	V
	50	Hz
	16	A
Power unit:	3.0	kW



## autop Maschinenbau GmbH

Sandkampstr. 90

D-48432 Rheine

Tel. ++49(0)5971/8602-02

Fax ++49(0)5971/8602-25

E-Mail: mail@autop.de

www.autop.de

...a company of the STENHØJ-group!

### Service:

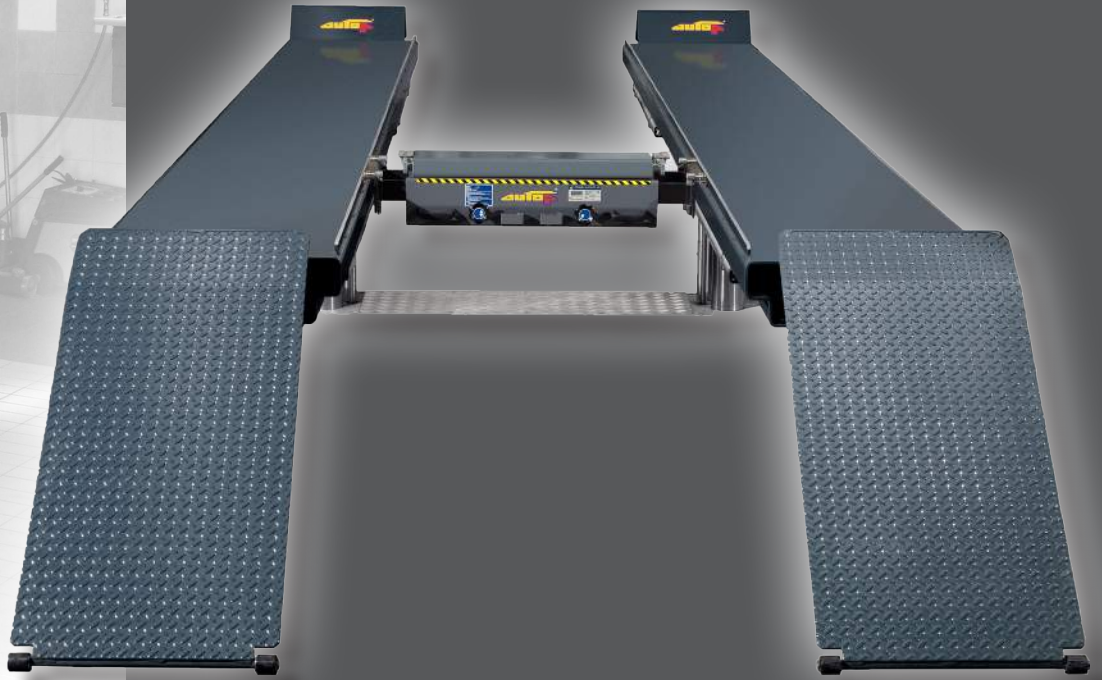
Our expert consultants would appreciate to help you with the planning of a new garage or the modernization of an existing one. We offer to work out a workshop concept incl. an equipment proposal.

**Please do not hesitate to contact us!**

**autop**  
Professional lifting technology

No liability is accepted for specifications that are subject to alteration, validity 01/2013. The date and pictures in this product information are not binding and are only giving an approximate description. Moreover we reserve the right of differences between the goods delivered and the date and pictures given here (i.e. technical data, equipment, material and optical appearance) as far as the differences are reasonable for the customer and a possible reduction in value of the goods delivered is not considerable.

# A real big thing!



## autop Biglift 4.60 F 550

The Biglift 4.60 F 550 has been developed for a quick and easy lifting of commercial vehicles with very different wheel bases. With a lifting capacity of 6 t and a platform length of 5.5 m you can even lift up transporters of the newest generations.

The base of the construction is the hydraulic unit with two pairs of inversed and hard chromed cylinders. This new construction points out the following advantages:

- the double cylinders give a perfect stability
- safe lifting even in case of unfavorable load distribution
- low cost of installation – can be fitted into existing Cargolift cassettes
- proven and extremely resistant chrome plated lifting cylinders
- space saving construction

### autop Maschinenbau GmbH

Sandkampstr. 90

D-48432 Rheine

Tel. ++49(0)5971/8602-02

Fax ++49(0)5971/8602-25

E-Mail: mail@autop.de

www.autop.de

...a company of the STENHØJ-group!

  
Professional lifting technology!



# Biglift 4.60 F 550

## Components

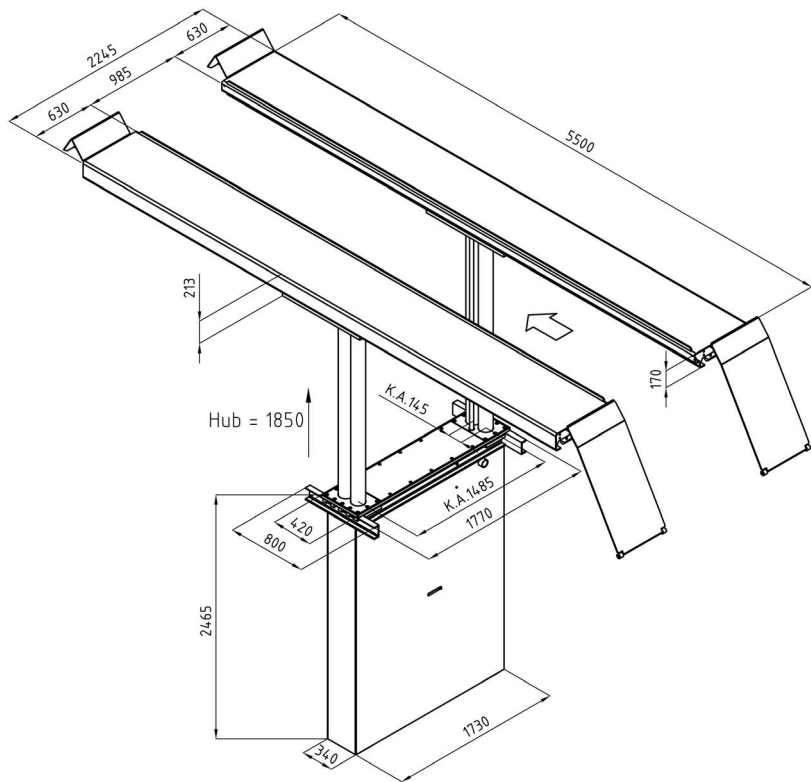
- two pairs of hard-chromed hydraulic cylinders
- corrosion-free guiding elements
- SPS - control unit
- pneumatic emergency drain
- flexible synchronizing and safety device
- installation in waterproof cassette
- use of „bio-oil“, non hazardous to water
- two on-floor platforms, appropriate drive-on flaps are available
- platforms with anti-sliding surface

### Standard colour:

RAL 7016 ( grey anthracite )

on request

RAL 5019 ( blue



### Technical data:

Capacity:	6,000	kg
Piston distance:	1,485/145	mm
Cylinders' diameter:	4 x 123	mm
Lifting/lowering time:	appr. 45	sec.
Stroke length:	1,850	mm
Lifting height:	2,065	mm
Foundation depth:	2,665	mm
Voltage:	230/400	V
	50	Hz
	16	A
Power unit:	3.0	kW

### Platform:

Length:	5,500	mm
Width:	630	mm
Wheel-base, max.:	4,900	mm
Drive-over height:	215	mm

### Service:

Our expert consultants would appreciate to help you with the planning of a new garage or the modernization of an existing one. We offer to work out a workshop concept incl. an equipment proposal.

**Please do not hesitate to contact us!**

## autop Maschinenbau GmbH

Sandkampstr. 90

D-48432 Rheine

Tel. ++49(0)5971/8602-02

Fax ++49(0)5971/8602-25

E-Mail: mail@autop.de

www.autop.de

...a company of the STENHØJ-group!



No liability accepted for specifications that are subject to alteration - validity 07/2011. The date and pictures in this product information are not binding and are only giving an approximate description. Moreover we reserve the right of differences between the goods delivered and the date and pictures given here (i.e. technical data, equipment, material and optical appearance) so far as the differences are reasonable for the customer and a possible reduction in value of the goods delivered is not considerable.

# Amazing lifting technology!



## autop Quattrolift 4.50 F 480/550 Wheel alignment

The 4-ram lift autop Quattrolift is appropriate for repair and maintenance as well as for diagnostic.

A wide range of accessories:

- front and rear recesses for using either 4 turntables or front turntables and rear slip plates
  - spacers for the positioning of the turntables and/or slip plates
- make this platform lift perfectly suitable for wheel alignment. The lift responds to the requirements of the car manufacturers and can be equipped with any wheel alignment package.

For the wheel-free lifting you can use the optional „jacking beam“ even for very difficult vehicles. The optional illumination kit improves the working conditions.

### autop Maschinenbau GmbH

Sandkampstr. 90

D-48432 Rheine

Tel. ++49(0)5971/8602-02

Fax ++49(0)5971/8602-25

E-Mail: mail@autop.de

www.autop.de

...a company of the STENHØJ-group!

  
Professional lifting technology!

# Quattrolift 4.50 F 480/550

## Components

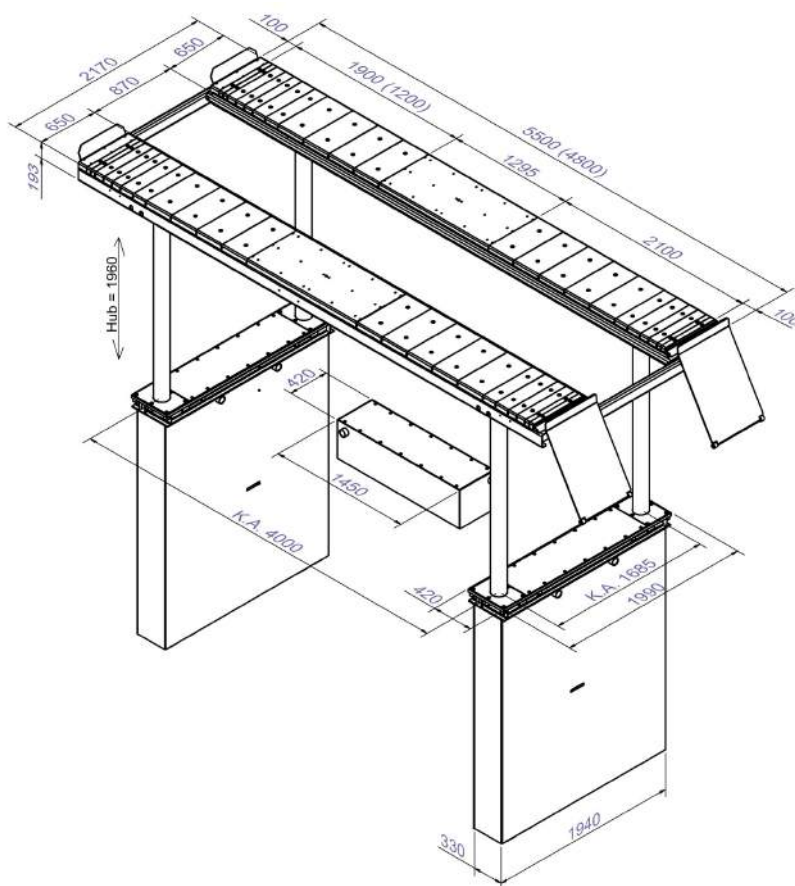
- two separate hydraulic units with two inversed cylinders each
- hard-chromed cylinders
- corrosion-free guiding elements
- SPS - control unit with micro-controller, digital display and integrated, pneumatic emergency drain
- flexible synchronizing and safety device
- installation of the hydraulic units in two waterproof cassettes
- installation of the pump unit and oil distribution in a separate waterproof cassette
- use of „bio-oil“ non hazardous to water
- platforms are equipped with antisliding coating ( standard )

## Standard colour:

RAL 7016 ( grey anthracite )

on request

RAL 5019 ( blue )



## Technical data:

Capacity:	5,000	kg
Piston distance:	1,685/4,000	mm
Cylinders' diameter:	4 x 140	mm
Lifting/lowering time:	appr. 45	sec
Stroke length:	1,960	mm
Lifting height:	2,155	mm
Foundation depth:	2,625	mm
Voltage:	230/400 V, 50 Hz, 16 A	
Pump unit:	3.0	kW

## Platform:

Length (F480):	4,800	mm
Length (F550):	5,500	mm
Width:	650	mm
Wheel base max.:	4,850	mm
Drive-over height:	195	mm

## Jacking Beam:

Capacity:	2,600	kg
Lifting height:	300	mm
Lifting time		
(air with 1000/2000kg):	27/52	sec
Min./max. pressure	5.5/8.0	bar

## Service:

Our expert consultants would appreciate to help you with the planning of a new garage or the modernization of an existing one. We offer to work out a workshop concept incl. an equipment proposal.

**Please do not hesitate to contact us!**

## autop Maschinenbau GmbH

Sandkampstr. 90

D-48432 Rheine

Tel. ++49(0)5971/8602-02

Fax ++49(0)5971/8602-25

E-Mail: mail@autop.de

www.autop.de

...a company of the STENHØJ-group!



No liability accepted for specifications that are subject to alteration - validity 1.2.2012. The date and pictures in this product information are not binding and are only giving an approximate description. Moreover we reserve the right of differences between the goods delivered and the date and pictures given here (i.e. technical data, equipment, material and optical appearance) so far as the differences are reasonable for the customer and a possible reduction in value of the goods delivered is not considerable.



# The key to your success!



## autop Triolift 3.35 Fn 420

The autop Triolift is a proven team workstation for simultaneous work on three levels: underbody of the vehicle, wheels and brakes, motor. Fast service and repair as well as high rentability and space saving installation make this product outstanding.

The autop Triolift is known as

- team workstation for quick-service
- wheel alignment station for exact wheel alignment



### autop Maschinenbau GmbH

Sandkampstr. 90

D-48432 Rheine

Tel. ++49(0)5971/8602-02

Fax ++49(0)5971/8602-25

E-Mail: mail@autop.de

www.autop.de

...a company of the STENHØJ-group!

**autop**<sup>®</sup>  
Professional lifting technology!

# Triolift 3.35 Fn 420

## Components

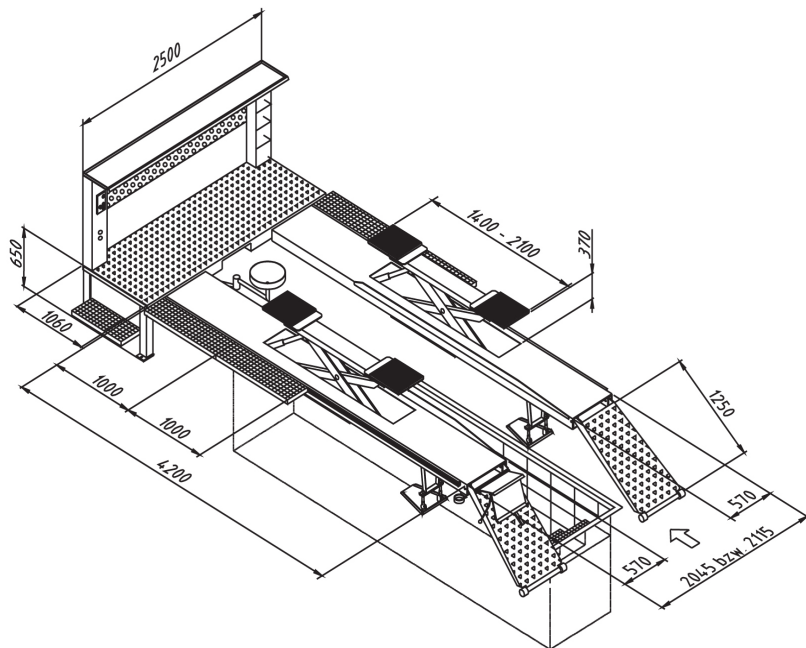
- two hydraulic cylinders made of micro-alloyed high grade steel
- with hard-chrome plated pistons
- security device by rigid bearing at the working platform
- push button control for lifting/lowering of platforms and wheel-free device
- working platform with control column and tool deposit
- two on-floor platforms of sturdy welded design with special shaped profiles, sand-blasted, primed and painted; with corresponding drive-on flaps
- platforms with anti-sliding surface
- integrated hydraulic scissor lift with low drive-over height for simultaneous wheel-free lifting on all four wheels

### Standard colour:

RAL 7016 ( grey anthracite )

on request

RAL 5019 ( blue )



### Technical data

Capacity:	3,500	kg
<b>Platforms</b>		
Stroke length:	650	mm
Lifting/lowering time:	appr. 5	sec.
Length:	4,200	mm
Width:	570	mm
Between platforms:	905 +/- 70	mm
Drive-on angle:	5	°

### Wheel-free device

Stroke length:	370	mm
Lifting/lowering time:	ca. 8	Sek.
Length:	1,400-2,100	mm

### Working platform

Depth:	1,060	mm
--------	-------	----

### Pit

Length:	4,980	mm
Width:	990	mm
Depth:	900-950	mm



No liability accepted for specifications that are subject to alteration - validity 07/2011. The date and pictures in this product information are not binding and are only giving an approximate description. Moreover we reserve the right of differences between the goods delivered and the date and pictures given here (i.e. technical data, equipment, material and optical appearance) so far as the differences are reasonable for the customer and a possible reduction in value of the goods delivered is not considerable.

## autop Maschinenbau GmbH

Sandkampstr. 90

D-48432 Rheine

Tel. ++49(0)5971/8602-02

Fax ++49(0)5971/8602-25

E-Mail: mail@autop.de

www.autop.de

...a company of the STENHØJ-group!

### Service:

Our expert consultants would appreciate to help you with the planning of a new garage or the modernization of an existing one. We offer to work out a workshop concept incl. an equipment proposal.

**Please do not hesitate to contact us!**



# Cleaner than ever!



## autop Jet Cleaner RC 82 and RC 122

The Jet-Cleaners offers:

- easy handling
- automatic operation
- the possibility of programming for working days, week-ends and holidays
- cleaning on the basis of water
- longer lifetime of washing liquid, if equipped with an oil skimmer
- minimum operation costs due to economy isolation

### autop Maschinenbau GmbH

Sandkampstr. 90

D-48432 Rheine

Tel. ++49(0)5971/8602-02

Fax ++49(0)5971/8602-25

E-Mail: mail@autop.de

www.autop.de

...a company of the STENHØJ-group!

**autop**  
Professional lifting technology!

# Jet Cleaner RC 82 / 122

## Components

### Standard:

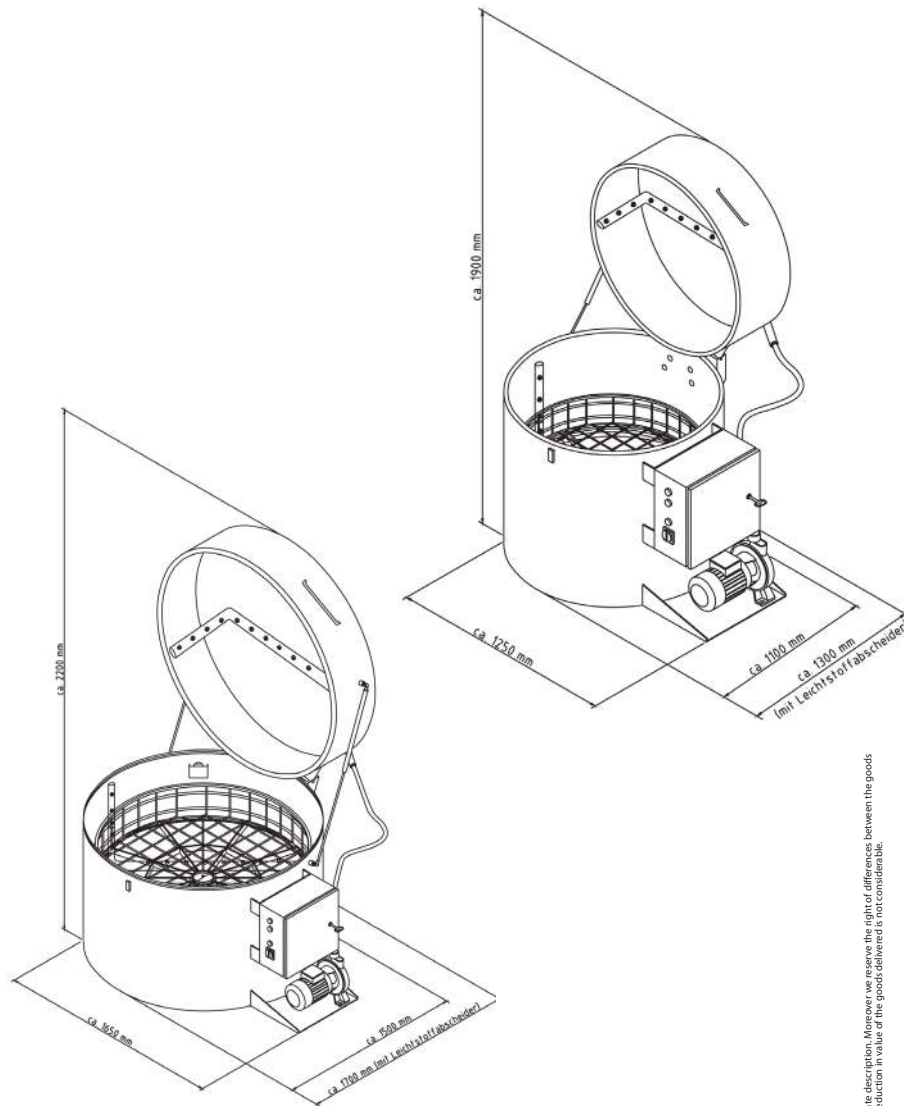
- made of stainless steel
- low-water alarm
- suction filter made of stainless steel
- bath cover
- movable

### Optional:

- programmable operation time
- oil skimmer
- economy insulation
- special colour
- detergents, baskets, etc.

### Standard colour:

RAL 7016 ( grey anthracite ) - housing-  
RAL 1004 ( yellow ) - cover



### Technical data

	RC 82	RC122
Useful basket Ø:	790 mm	1,190 mm
Useful height:	500 mm	500 mm
Loading height:	930 mm	830 mm
Max. basket load:	300 kg	500 kg
Liquid volume:	150 l	370 l
Pump ration:	200 l/min	280 l/min
Projection pressure:	3 bar	5 bar
Voltage:	230/400 V/50 Hz 14 A	230/400 V/50 Hz 24 A
Pump motor rating:	1,5 kw	4 kW
Heater rating:	6 kw	9+6 kW
Basket drive:	jet of water	E-motor 0,09 kW
Total height:	appr. 1200 mm	appr. 1250 mm
Total width:	appr. 1300 mm	appr. 1650 mm
Total depth:	appr. 1300 mm	appr. 1650 mm
Total weight:	appr. 220 kg	appr. 400 kg

### Service:

Our expert consultants would appreciate to help you with the planning of a new garage or the modernization of an existing one. We offer to work out a workshop concept incl. an equipment proposal.

**Please do not hesitate to contact us!**

## autop Maschinenbau GmbH

Sandkampstr. 90

D-48432 Rheine

Tel. ++49(0)5971/8602-02

Fax ++49(0)5971/8602-25

E-Mail: mail@autop.de

www.autop.de

...a company of the STENHØJ-group!



No liability accepted for specifications that are subject to alteration - validity 07/2011. The date and pictures in this product information are not binding and are only giving an approximate description. Moreover we reserve the right of differences between the goods delivered and the date and pictures given here (i.e. technical data, equipment, material and optical appearance) so far as the differences are reasonable for the customer and a possible reduction in value of the goods delivered is not considerable.

**autop**  
Professional lifting technology

# Never hindering!



## autop power module

The autop power module gives freedom of motion at the workstation. Fixed under the ceiling the autop power module delivers compressed air and electricity directly at the workstation, without obstacle: no cables on the floor.

Fitted with a spring above head height, the power module can be taken down if used, otherwise it remains under the ceiling where it does not disturb at all.

We offer many different executions.

Handy accessories:

- supports for cables, hoses, lamps
- protection strap to avoid damages of the equipment and the customer vehicles.

### autop Maschinenbau GmbH

Sandkampstr. 90

D-48432 Rheine

Tel. ++49(0)5971/8602-02

Fax ++49(0)5971/8602-25

E-Mail: [mail@autop.de](mailto:mail@autop.de)

[www.autop.de](http://www.autop.de)

...a company of the STENHØJ-group!

**autop**<sup>®</sup>  
Professional lifting technology!



# Power module

## Equipment possibilities:

- Model 401 A: 4 x 230 V/16 A  
2 x compressed air NW 7.2
- Model 402 A: 4 x 230 V/16 A  
2 x compressed air NW 7.2  
1 x compressed air NW 13
- Model 311 A: 3 x 230 V/16 A  
1 x 400 V/16 A  
2 x compressed air NW 7.2
- Model 312 A: 3 x 230 V/16 A  
1 x 400 V/16 A  
2 x compressed air NW 7.2  
1 x compressed air NW 13
- Model 221 A: 2 x 230 V/16 A  
2 x 400 V/16 A  
2 x compressed air NW 7.2
- Model 222 A: 2 x 230 V/16 A  
2 x 400 V/16 A  
2 x compressed air NW 7.2  
1 x compressed air NW 13
- Model 231 A: 2 x 230 V/16 A  
1 x 400 V/16 A  
1 x 400 V/32 A  
2 x compressed air NW 7.2
- Model 232 A: 2 x 230 V/16 A  
1 x 400 V/16 A  
1 x 400 V/32 A  
2 x compressed air NW 7.2  
1 x compressed air NW 13
- Model 313 A: 3 x 230 V/16 A  
1 x 400 V/16 A  
2 x compressed air NW 7.2  
1 x compressed air NW 7.2, regulated  
1 x compressed air NW 13, regulated and oiled

## Colour:

anthracite/grey

## autop Maschinenbau GmbH

Sandkampstr. 90  
D-48432 Rheine

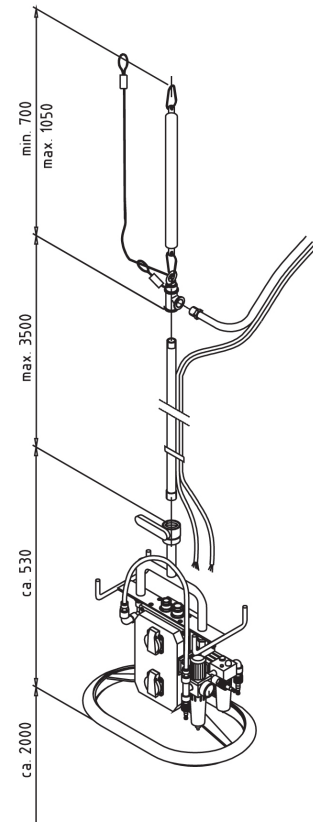
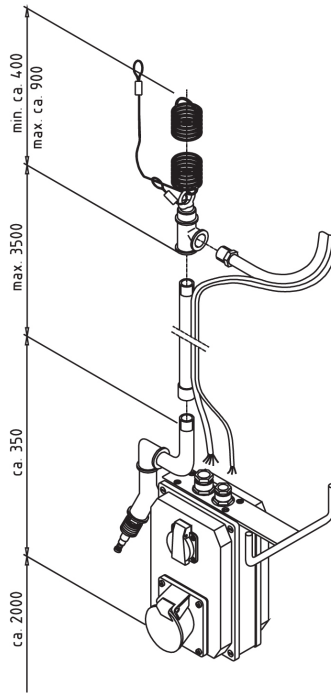
Tel. ++49(0)5971/8602-02

Fax ++49(0)5971/8602-25

E-Mail: mail@autop.de

www.autop.de

...a company of the STENHØJ-group!



Liability, except for specifications that are subject to alteration - validity 04/2012. The date and pictures in this product information are not binding and are only giving an approximate description. Moreover we reserve the right of different colours, just as the pictures given here (i.e. technical data, equipment, material and applied appearance) for all the differences are reasonable for the customer and a possible reduction in value of the goods delivered is not considered.

## Service:

Our expert consultants would appreciate to help you with the planning of a new garage or the modernization of an existing one. We offer to work out a workshop concept incl. an equipment proposal.

**Please do not hesitate to contact us!**



# Never hindering!



## autop Powerdisc

The autop Powerdisc gives freedom of motion at the workstation.

Fixed under the ceiling or on the wall the autop Powerdisc delivers compressed air and electricity, directly at the workstation without obstacle: no cables on the floor.

The autop Powerdisc, a futuristic energy distributor, hangs above head height. Fitted with a chain above head height, the Powerdisc does not disturb if you don't use it. With the optional adapter kit you can also fit it on the posts of above ground lifts.

Handy accessories:

- Adapter kit in stainless steel for fitting onto post lifts

### autop Maschinenbau GmbH

Sandkampstr. 90

D-48432 Rheine

Tel. ++49(0)5971/8602-02

Fax ++49(0)5971/8602-25

E-Mail: mail@autop.de

www.autop.de

...a company of the STENHØJ-group!

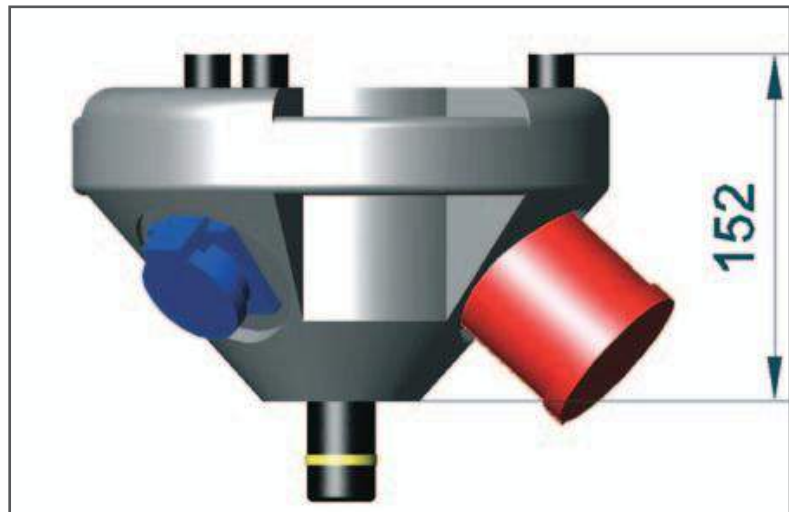
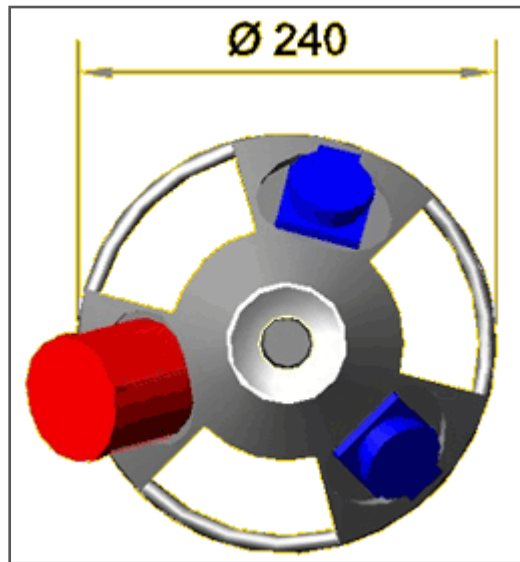
  
Professional lifting technology!

# Powerdisc

## ■ Equipment

- 2 x power plugs 230 V/16 A
- 1 x CE plug 400 V/16 A, cabled
- 1 x compressed air  $\varnothing$  7,2
- safety coupling out of steel
- chain set for suspension

Colour of the housing:  
silver/black



**autop Maschinenbau GmbH**  
Sandkampstr. 90  
D-48432 Rheine  
Tel. ++49(0)5971/8602-02  
Fax ++49(0)5971/8602-25  
E-Mail: mail@autop.de  
www.autop.de

...a company of the STENHØJ-group!

## Service:

Our expert consultants would appreciate to help you with the planning of a new garage or the modernization of an existing one. We offer to work out a workshop concept incl. an equipment proposal.

**Please do not hesitate to contact us!**

**autop**  
Professional lifting technology

No liability accepted for specifications that are subject to alteration - validity 04/2012. The date and pictures in this product information are not binding and are only giving an approximate description. Moreover we reserve the right of differences between the goods delivered and the date and pictures given here (i.e. technical data, equipment, material and optical appearance) so far as the differences are reasonable for the customer and a possible

# Clever accessories - more possibilities!



## autop wheel support device Standard / Offroad

The range of applications for autop swivel arm lifts has been enlarged considerably. Vehicles can be lifted at the lifting points or at the wheels without changing the workstation.

So free access to all components of the vehicles' underbody is given and also body repair works „all around the car“ can be done without any problems.

The autop wheel support device is the perfect solution, in case:

- you need free access to the underbody of the car
- if the wheels do not have to be rebounded, but the customer doesn't have a suitable lift
- the workstation cannot be changed.

The autop wheel support device can be used instead of the usual lifting pads on all autop swivel arm lifts.

### autop Maschinenbau GmbH

Sandkampstr. 90

D-48432 Rheine

Tel. ++49(0)5971/8602-02

Fax ++49(0)5971/8602-25

E-Mail: mail@autop.de

www.autop.de

...a company of the STENHØJ-group!

  
Professional lifting technology!

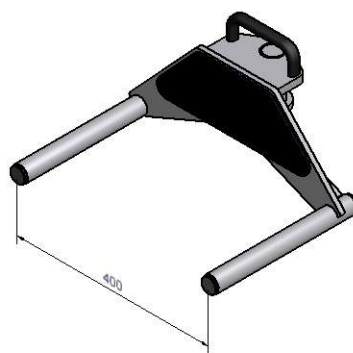
# autop wheel support device

## Components:

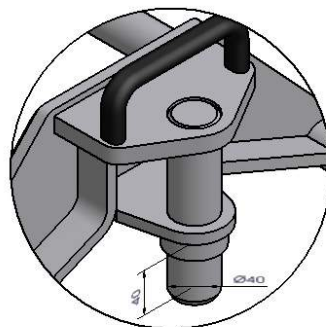
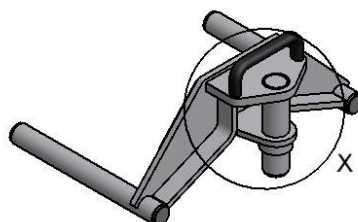
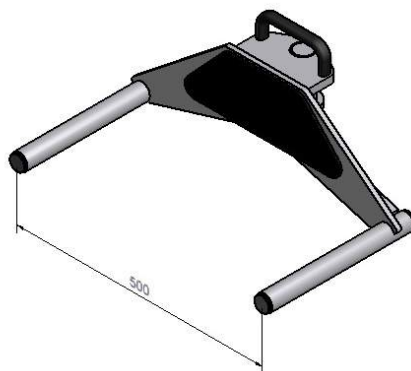
- Wheel support device „Standard“: 400 mm distance between the support arms
- Wheel support device „Offroad“: With a distance of 500 mm it is also possible to lift Offroaders safely.
- The lifting capacity of the wheel support device is 875 kg / unit, that means 3.500 kg per set ( also in case of using a 5.0 t or 6.5 t lift )
- The autop wheel support device can **solely be used in combination with autop** swivel arm lifts and the autop surface mounted lift Maestro 2.50.
- The autop wheel support device can easily be exchanged against usual lifting pads.



## Standard:



## Offroad:



## Technical data:

### Distance support arms:

Standard:	400	mm
Offroad:	500	mm

### Capacity of wheel support device:

Standard:	875	kg/unit
Offroad:	875	kg/unit

**3.500 kg/set**



No liability, accepted for specifications that are subject to alteration - validity 03/2013. The date and picture in this product information are not binding and are only giving an approximate description. Moreover we reserve the right of differences between the goods delivered and the date and pictures given here (i.e. technical data, equipment, material and optical appearance) so far as the differences are reasonable for the customer and a possible reduction in value of the goods delivered is not considerable.

## autop Maschinenbau GmbH

Sandkampstr. 90

D-48432 Rheine

Tel. ++49(0)5971/8602-02

Fax ++49(0)5971/8602-25

E-Mail: mail@autop.de

www.autop.de

...a company of the STENHØJ-group!

## Service:

Our expert consultants would appreciate to help you with the planning of a new garage or the modernization of an existing one. We offer to work out a workshop concept incl. an equipment proposal.

**Please do not hesitate to contact us!**

**autop**<sup>®</sup>  
Professional lifting technology

# Always well lifted!



## autop lifting pads & Co.

The autop quality of electro-hydraulic inground lifts does not only include the hydraulic unit but of course also the superstructures and the corresponding accessories.

A wide range of rubber blocks, lifting pads and other handsome accessories make a safe and professional lifting of all vehicles possible also in case of the most different and difficult body forms.

### autop Maschinenbau GmbH

Sandkampstr. 90

D-48432 Rheine

Tel. ++49(0)5971/8602-02

Fax ++49(0)5971/8602-25

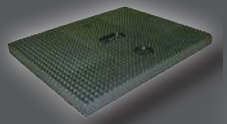
E-Mail: mail@autop.de

www.autop.de

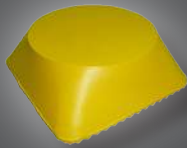
...a company of the STENHØJ-group!

  
Professional lifting technology!

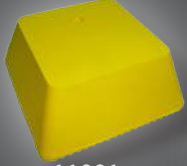
# autop lifting pads & Co.



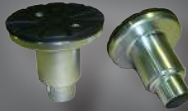
11005



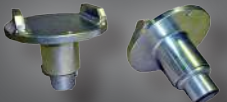
11102



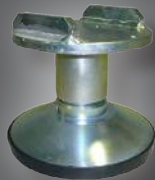
11001



11028



11007



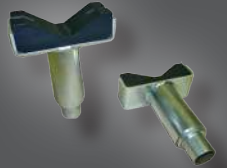
11011



11033



11032



11013



11040



20985/20772

## Rubber blocks

base: 270 x 210 mm

11005 Rubber block h = 20 mm ( 1 set = 4 pcs ) black

base: 120 x 120 mm / on top Ø 100 mm

11102 Rubber block h = 40 mm ( 1 set = 4 pcs ) yellow ( recom. by BMW )

base: 150 x 150 mm / on top 110 x 110 mm

11001 Rubber block h = 60 mm ( 1 set = 4 pcs ) yellow

11000 Rubber block h = 80 mm ( 1 set = 4 pcs ) black

11004 Rubber block h = 100 mm ( 1 set = 4 pcs ) black

## Lifting pads (1)

11027 Lifting pad Ø120 height adjustable min: 95 mm / max: 135 mm (1 pc)

11028 Lifting pad Ø120 height adjustable min: 135 mm / max:195 mm (1 pc)

11029 Lifting pad Ø120 height adjustable min: 195 mm / max: 300 mm (1 pc)

11030 Lifting pad Ø120 height adjustable min: 280 mm / max: 420 mm (1 pc)

11006 Lifting pad U100 height adjustable min: 92 mm / max. 122 mm (1 pc)

11007 Lifting pad U100 height adjustable min: 122 mm / max. 182 mm (1 pc)

11009 Lifting pad U100 height adjustable min: 182 mm / max. 287 mm (1 pc)

11021 Lifting pad U100 height adjustable min: 280 mm / max. 420 mm (1 pc)

11033 Srew pad Ø120 height adjustable min. 118 mm / max.178 mm (1 pc)

## Lifting pads (2) - to be combined with the pads from (1)

11038 Lifting pad U100 height adjustable min. 92 mm / max. 122 mm (1 pc)

11011 Lifting pad U100 height adjustable min. 122 mm / max. 182 mm (1 pc)

11023 Lifting pad U100 height adjustable min. 280 mm / max.420 mm (1 pc)

11044 Lifting pad Ø120 height adjustable min. 70 mm / max. 95 mm (1 pc)

11046 Lifting pad Ø120 height adjustable min. 95 mm / max. 135 mm (1 pc)

11031 Lifting pad Ø120 height adjustable min. 135 mm / max. 195 mm (1 pc)

11045 Lifting pad Ø120 height adjustable min. 195 mm / max. 300 mm (1 pc)

11032 Lifting pad Ø120 height adjustable min. 280 mm / max. 420 mm (1 pc)

## Wheel support device:

Capacity 875 kg per unit = 3500 kg per set

20985 Wheel support device „Standard“ (1 set = 4 pcs), 400mm distance

20772 Wheel support device „Offroad“ (1 set = 4 pcs), 500mm distance

## Special lifting pads:

11013 Lifting pad „Rover“ adjustable height min. 181 mm/max. 286 mm (1 set = 4 pcs)

11014 Lifting pad „Rover“ for jacking beam adjustable height min.121 mm / max. 181 mm (1 set = 4 pcs)

11040 Lifting pad „bolt version“ adjustable height min. 249 mm / max. 414 mm (1 set = 4 pcs)

11043 Lifting pad „Crafter / Sprinter“ adjustable height min. 196 mm / Max. 301 mm (1 set = 4 pcs)

11047 Lifting pad „MLSaa“ Ø120 adjustable height min: 95 mm/ max: 135 mm ( 1 pc )

11048 Lifting pad „Porsche“ Ø120 adjustable height min: 80 mm / max:120 mm (1 pc)

11049 Lifting pad „ Ford Transit FT330/Modell 2000“ adjustable height min. 255 mm / max. 420 mm (1 set = 4 pcs)

11050 Lifting pad „Opel Arena / Renault Traffic U“ adjustable height min. 121 mm / max. 181 mm (1 set = 4 pcs)

This is only a part of our wide lifting pad program. Contact us!

## Service:

Our expert consultants would appreciate to help you with the planning of a new garage or the modernization of an existing one. We offer to work out a workshop concept incl. an equipment proposal.

**Please do not hesitate to contact us!**



No liability accepted for specifications that are subject to alteration - validity 08/2013. The date and pictures in this product information are not binding and are only giving an approximate description. Moreover we reserve the right of differences of weights, dimensions, delivered and the date and picture given here (ie. technical data, equipment, material and optical appearance) so far as the differences are reasonable for the customer and a possible reduction in value of the goods delivered is not considerable.



Professional lifting technology

## autop Maschinenbau GmbH

Sandkampstr. 90

D-48432 Rheine

Tel. ++49(0)5971/8602-02

Fax ++49(0)5971/8602-25

E-Mail: mail@autop.de

www.autop.de

...a company of the STENHØJ-group!

# autop inground lifts First class lifting technology



**autop Maschinenbau GmbH**  
Sandkampstr. 90  
D-48432 Rheine  
Tel. ++49(0)5971/8602-02  
Fax ++49(0)5971/8602-25  
E-Mail: mail@autop.de  
www.autop.de

...a company of the STENHØJ-group!

